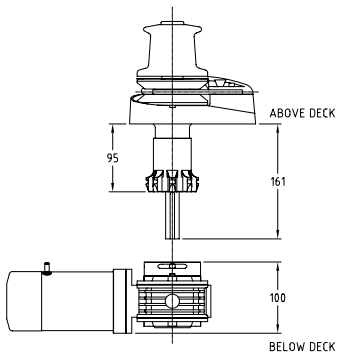
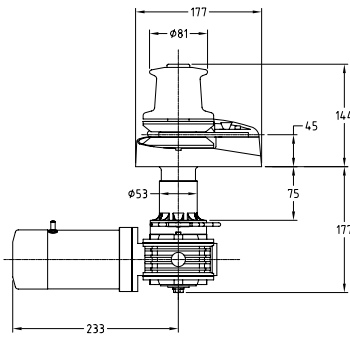
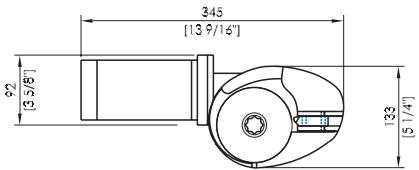




# Atlantic Automatic Freefalls 600



VFF600



<b>Model</b>	<b>VFF600</b>
<b>VESSEL LENGTH</b>	<b>5 - 9m</b> 16 - 29ft
<b>POWER SUPPLY (DC)</b>	<b>12V</b>
<b>MOTOR (Watts)</b>	600
<b>HYDRAULIC PRESSURE</b>	<b>N/A</b> N/A
<b>HYDRAULIC FLOW</b>	<b>N/A</b> N/A
<b>MAX LOAD</b>	<b>300kg</b> 660lb
<b>WORK LOAD</b>	<b>75kg</b> 165lb
<b>AMPS WORK LOAD</b>	40/80
<b>MAX LINE SPEED</b>	<b>20m/min</b> 64ft/min
<b>CHAIN SIZE</b>	<b>6 - 7mm</b> 1/4 - 9/32"
<b>ROPE SIZE</b>	<b>12mm</b> 1/2"
<b>NET WEIGHT</b>	<b>DC 12kg</b> DC 26lb
<b>MANUAL OPERATION</b>	N/A

### Features

- Automatic freefall capability
- Rope chain combination gypsy for rope and chain combination or chain only
- Rope Chain Management System (RCMS)
- Sleek low profile clutch top arrangement
- Heavy duty dual direction motor in 12 & 24V DC
- Luxury chromed finish over marine grade bronze
- Self aligning gearbox/adaptor
- Stainless steel shaft
- Cone clutch/brake
- Stainless steel mounting bolts
- Shaft seal
- Lubricating grease nipple
- Clutch release handle
- Installation/Operation booklet



### Options

- Traditional polished bronze finish
- Extra deck clearance kit for any deck thickness
- Full range of accessories including chain, rope, anchors, anchor roller, chain stoppers, snubber kits & devil claws
- Electric & hydraulic operating options & accessories