



H600S/HFF600S

SILVER

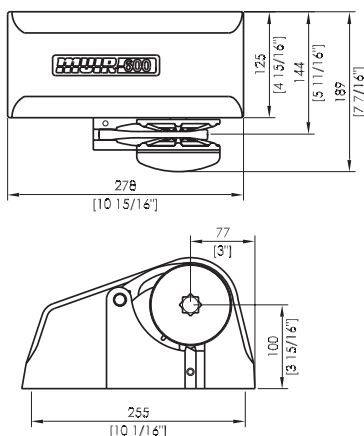
Your choice of either the standard Manual (H600S), Power Up & Power Down (with Manual Release), or the Muir's Patented Auto Free Fall (HFF600S), or Free Fall with Manual Release are all available.

Designed for vessels 5-8m (16-26ft) and offering fast powered retrieval, smooth rope chain combination operation, reduced installation time, style and unbeatable reliability. Ideal for recreational users and for serious fishermen.

The H600S/HFF600S will weather the harshest of conditions and is backed by Muirs' three year warranty and supported by an extensive worldwide service network.

When precision engineering, high performance, service, quality controlled design and manufacturing count... it's the new H600S/HFF600S series from Muir.

H600S/HFF600S



HFF600

Model	H600S (Manual FreeFall) & HFF600s (Auto FreeFall)
VESSEL LENGTH	5 - 8m 16 - 26ft
POWER SUPPLY (DC)	12V
MOTOR (Watts)	400
MAX LOAD	220kg 484lb
WORK LOAD	60kg 132lb
AMPS WORK LOAD	60
MAX LINE SPEED	23m/min 75ft/min
CHAIN SIZE	6mm (1/4")
CORE #116	Australian Shortlink and DIN 766
CORE #117	HT, 3B
ROPE SIZE (3PLY)	12mm 1/2"
NET WEIGHT	9kg

Features

- Powerful 400w/12v DC permanent magnet motor coupled to heavy duty gearbox, offering greater pulling power and longevity
- Muir's anodized aluminium housing and top coat with quality AWL GRIP silver metallic finish looks stylish and made to last in the harshest of environments
- New SS316 components, including SS316 Clutch Cap, Stripper and Peeler
- HFF600S with Muir's patented FreeFall design
- Motor & gearbox combination with CRC Soft Seal covering film provides additional protection and trouble free operation
- Simple above deck unit for the easiest of installations and minimal intrusion into the chain locker
- Compact design perfectly suited where deck area or chain locker space and depth is at a premium
- Designed and made in Australia



Standard package comprises

- Circuit breaker & mounting panel w/ LED
- Helm control rocker switch & mounting panel
- Reversing solenoid kit - 12v 2-4 pole
- Clutch release handle
- Installation & operation manual
- Deck mounting studs & fasteners

