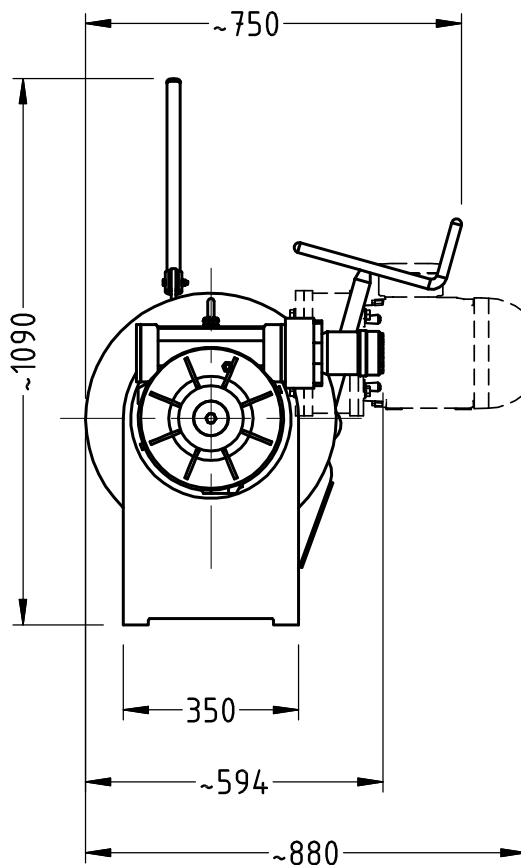




SD150

**General Assembly
(AC/HYD Motor)**



PERFORMANCE CRITERIA

MODEL	SD150AC	SD150HYD
Power Supply	208/415V 50/60Hz 3PH	HYDRAULIC
Input Power (KW)	3 / 4 KW	-
Hydraulic Flow (l/min)	-	27 litres/min
Pressure (bar)	-	100 Bar
Lifting Force	10 - 11kN	15 - 16kN
Mean Recovery Speed	9M/min (minimum)	9M/min (minimum)
Brake Holding Power	110kN	110kN
Class Certification	Optional	Optional
Drum Capacity	150M of 12-14mm cable	150M of 12-14mm cable
	10M of 16mm chain	10M of 16mm chain
Docking Capstan	Optional	Optional
Construction	Steel/Alloy	Steel/Alloy
Weight (approx.)	Steel 320kg/Alloy 230kg	Steel 270kg/Alloy 190kg
Finish	Steel, grit blast epoxy Alloy, enamel over zinc primer	Steel, grit blast epoxy Alloy, enamel over zinc primer

