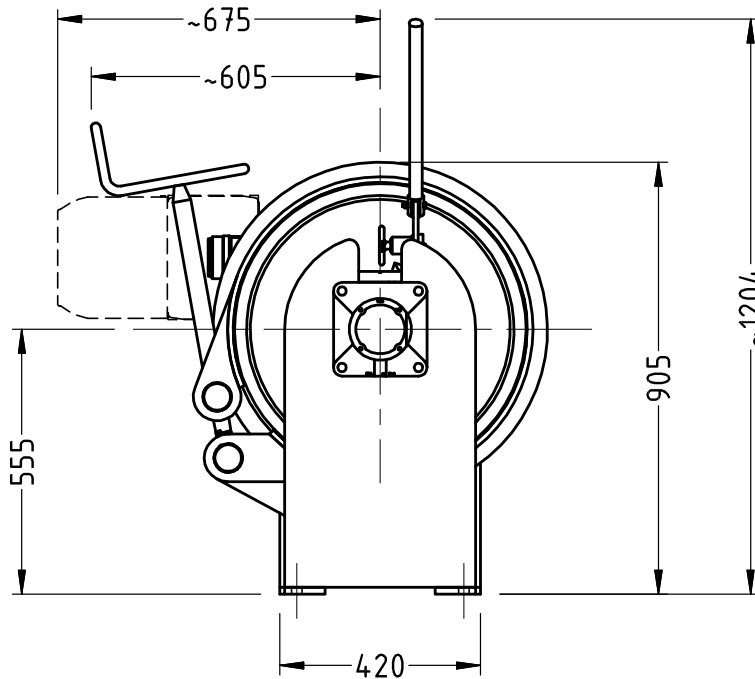




SD250

**General Assembly
(AC/HYD Motor)**



PERFORMANCE CRITERIA

MODEL	SD250AC	SD250HYD
Power Supply	208/415V 50/60Hz 3PH	HYDRAULIC
Input Power (KW)	4 / 5.5 KW	-
Hydraulic Flow (l/min)	-	27 litres/min
Pressure (bar)	-	110 Bar
Lifting Force	11 - 13kN	17 - 18kN
Mean Recovery Speed	9M/min (minimum)	9M/min (minimum)
Brake Holding Power	140kN	140kN
Class Certification	Optional	Optional
Drum Capacity	160M of 16-18mm cable 10M of 17.5mm chain	160M of 16-18mm cable 10M of 17.5mm chain
Docking Capstan	Optional	Optional
Construction	Steel/Alloy	Steel/Alloy
Weight (approx.)	Steel 450kg/Alloy 420kg	Steel 450kg/Alloy 380kg
Finish	Steel, grit blast epoxy Alloy, enamel over zinc primer	Steel, grit blast epoxy Alloy, enamel over zinc primer

SD250

