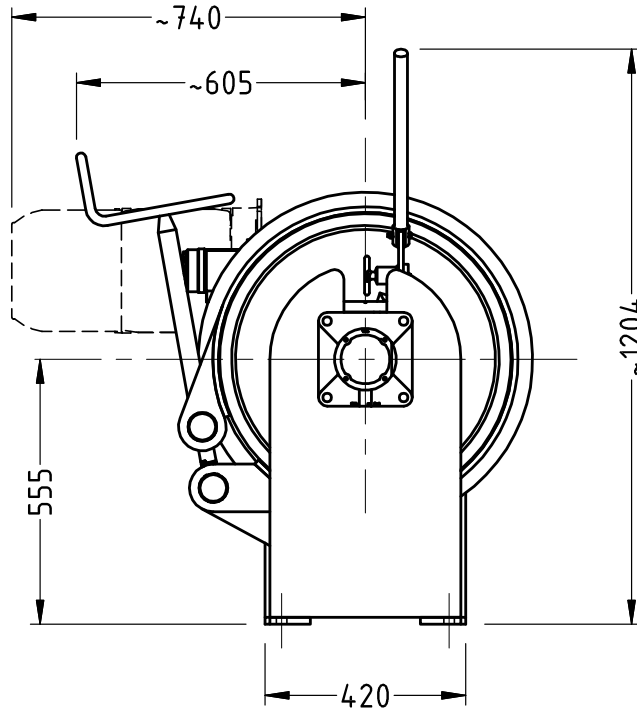




SD350

**General Assembly
(AC/HYD Motor)**



PERFORMANCE CRITERIA

MODEL	SD350AC	SD350HYD
Power Supply	208/415V 50/60Hz 3PH	HYDRAULIC
Input Power (KW)	7.5 KW	-
Hydraulic Flow (l/min)	-	35 Litres
Pressure (bar)	-	125 Bar
Lifting Force	15 - 16kN	23 - 26kN
Mean Recovery Speed	9M/min (minimum)	9M/min (minimum)
Brake Holding Power	190kN	190kN
Class Certification	Optional	Optional
Drum Capacity	180M of 20.5mm cable 10M of 20.5mm chain	180M of 20.5mm cable 10M of 20.5mm chain
Docking Capstan	Optional	Optional
Construction	Steel/Alloy	Steel/Alloy
Weight (approx.)	Steel 610kg/Alloy 520kg	Steel 610kg/Alloy 520kg
Finish	Steel, grit blast epoxy Alloy, enamel over zinc primer	Steel, grit blast epoxy Alloy, enamel over zinc primer

