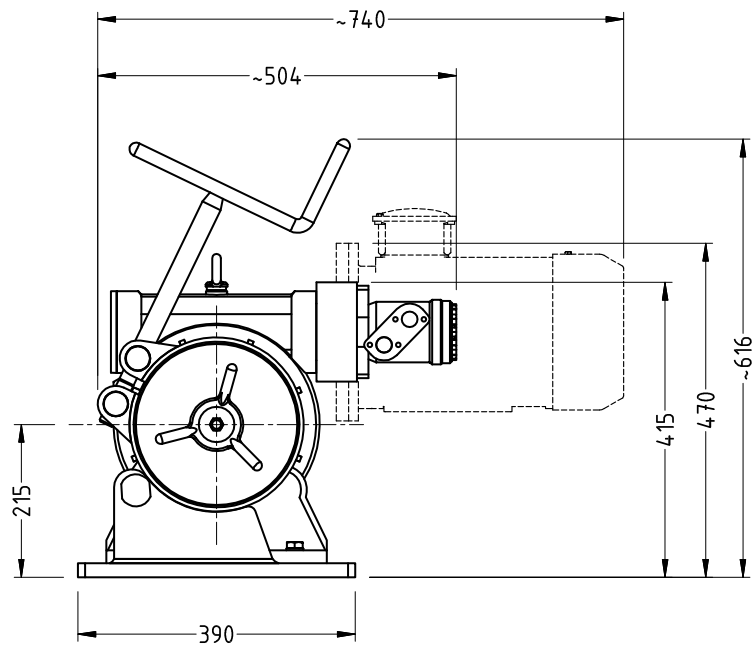
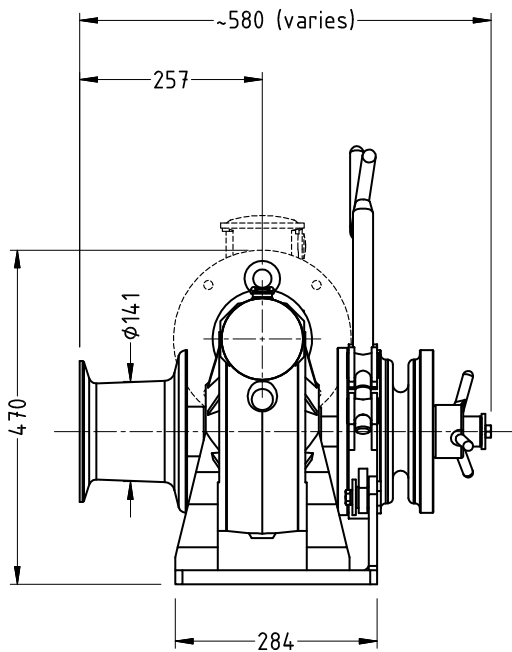




SGC1

**Single Gypsy / Capstan
General Arrangement (AC/HYD Motor)**



PERFORMANCE CRITERIA

MODEL	SGC1	SGC1
Power Supply	24V DC/ 3PH	HYDRAULIC
Input Power (KW)	3/4 KW	-
Hydraulic Flow (l/min)	-	30 litres/min
Pressure (bar)	-	100 Bar
Rating	~12kN 1200kg	~17kN 1700kg
Recovery Speed	10M/min (minimum)	10M/min (minimum)
Chain Size		
Short Link	16mm	16mm
Stud Link	16mm U2	16mm U2
Band Brake	316	-
Class Certification	Optional	Optional
Construction	Steel, zinc primed, or coated with epoxy enamel	Steel, zinc primed, or coated with epoxy enamel
Weight (approx.)	180kg	150kg

“SGC Series” anchor winch incorporates a totally enclosed oil lubricated worm drive gearbox direct coupled to a hydraulic or electric motor with torque limiter. SGC winches have proven performances for use on many vessels ranging from naval to passenger and commercial craft. Standard winch includes single gypsy and single capstan. Options include twin gypsy, twin capstan, manually operated band brakes, and manual handle.

Running gear in painted steel or bronze.

**Twin Gypsy / Capstan
General Arrangement (AC/HYD Motor)**

