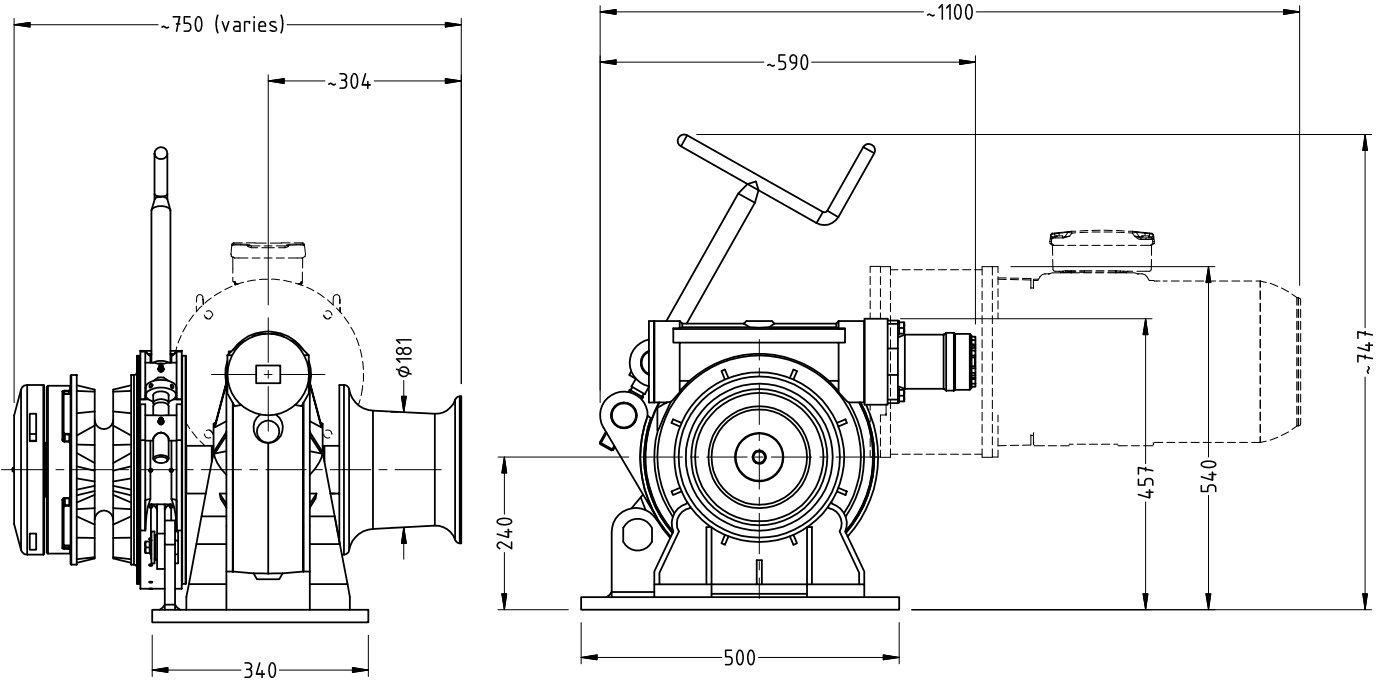




SGC2

**Single Gypsy / Capstan
General Arrangement (AC/HYD Motor)**



PERFORMANCE CRITERIA

| MODEL | SG2 | SG2 |
|-------------------------|---|---|
| Power Supply | 50HZ & 60HZ / 3PH ELEC | HYDRAULIC |
| Input Power (KW) | 4 KW/5.5KW | - |
| Hydraulic Flow (l/min) | - | 38 litres/min |
| Pressure (bar) | - | 100 Bar |
| Rating | ~14kN 1400kg 2600kg - Brake Holding | ~22kN 2200kg 2600kg - Brake Holding |
| Recovery Speed | 10M/min (minimum) | 10M/min (minimum) |
| Chain Size | | |
| Short Link | Up to 19mm | Up to 19mm |
| Stud Link | Up to 19mm U2 | Up to 19mm U2 |
| Band Brake | Mild steel or 316 | - |
| Class Certification | Optional | Optional |
| Construction | Steel, zinc primed, or coated with epoxy enamel | Steel, zinc primed, or coated with epoxy enamel |
| Weight (approx.) | 250kg | 216kg |

“SGC Series” anchor winch incorporates a totally enclosed oil lubricated worm drive gearbox direct coupled to a hydraulic or electric motor with torque limiter. SGC winches have proven performances for use on many vessels ranging from naval to passenger and commercial craft. Standard winch includes single gypsy and single capstan. Options include twin gypsy, twin capstan, manually operated band brakes, rope storage drum and manual handle.

Running gear in painted steel or bronze.

**Twin Gypsy / Twin Capstan
General Arrangement (AC/HYD Motor)**

