



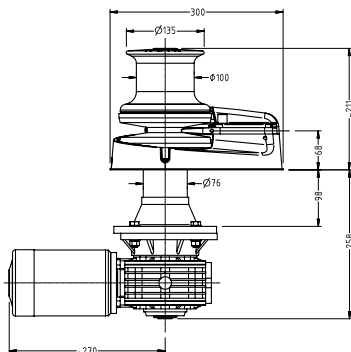
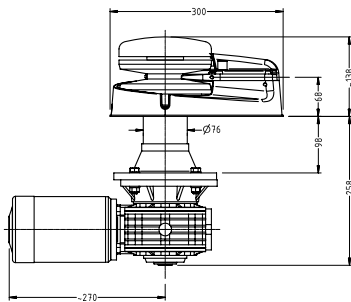
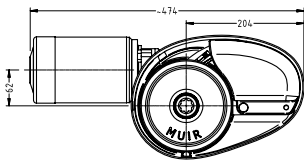
Storm 2500 **STAINLESS**



VR2500



VRC2500



Model	VR/VRC2500	
VESSEL LENGTH	14 - 20m	
	45 - 64ft	
POWER SUPPLY (DC)	12/24V	AC Electric available
MOTOR (Watts)	1200	
HYDRAULIC PRESSURE	10MPa	
	1450PSI	
HYDRAULIC FLOW	20L/min	
	5.5gal/min	
MAX LOAD	1136kg	
	2500lb	
WORK LOAD	284kg	
	624lb	
AMPS WORK LOAD	120/75	
MAX LINE SPEED	13.5m/min	
	44ft/min	
CHAIN SIZE	8 - 10 - 13mm (chain only)	
	5/16 - 3/8 - 1/2"	
ROPE SIZE	14 - 16 - 19mm	
	9/16 - 5/8 - 3/4"	
NET WEIGHT	DC VR 40kg VRC 44kg HYD VR 38kg VRC 42kg	
	DC VR 88lb VRC 96lb HYD VR 84lb VRC 92lb	
MANUAL OPERATION	MORS (opt) MOS (opt)	

Features

- Rope chain combination gypsy for rope and chain combination or chain only
- Quick release integrated swivel chain pipe cover
- Gypsy with capstan (VRC) or gypsy with low profile clutch top arrangement (VR)
- Heavy duty marine grade, dual direction motor in 12 & 24V DC, Hydraulic & AC
- Polished Stainless steel components
- Independent gypsy and capstan operation
- Capstan model features heavy duty fluted finish for increased grip
- Self aligning gearbox/adaptor
- Stainless steel shaft
- Cone clutch/brake
- Stainless steel mounting bolts
- Shaft seal
- Lubricating grease nipple
- Clutch release handle
- Rope Chain Management System (RCMS)
- Installation/Operation booklet



Options

- Round base VR/VRC model (chain only)
- AC electric motor available
- Mirror image models available
- Manual Override System (MORS)
- Manual Operation System (MOS)
- Traditional polished bronze finish
- Extra deck clearance kit for any deck thickness
- Full range of accessories including chain, rope, anchors, anchor roller, chain stoppers, snubber kits & devil claws
- Electric & hydraulic operating options & accessories
- Auto anchor



Round base
Muir Atlantic 2500