



MUIR SINCE 1968

Storm VR/VRC1250 **STAINLESS**

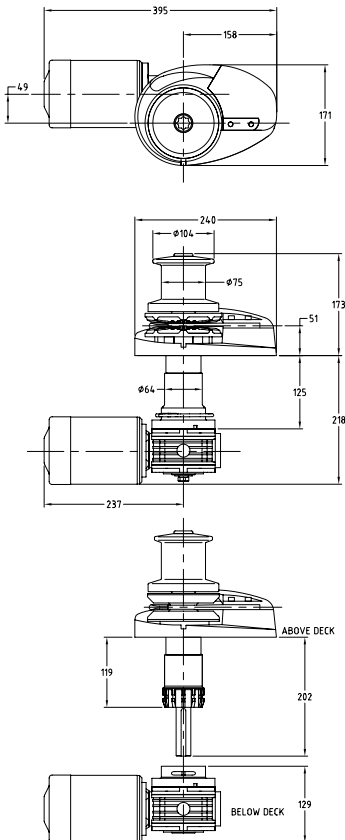


VR1250



VRC1250

Model	VR/VRC1250
VESSEL LENGTH	10 - 13m 32 - 42ft
POWER SUPPLY (DC)	12/24V
MOTOR (Watts)	1000
HYDRAULIC PRESSURE	8MPa 1160PSI
HYDRAULIC FLOW	15L/min 4gal/min
MAX LOAD	500kg 1100lb
WORK LOAD	125kg 275lb
AMPS WORK LOAD	100/60
MAX LINE SPEED	15m/min 48ft/min
CHAIN SIZE	6 - 8 - 10mm 1/4 - 5/16 - 3/8"
ROPE SIZE	12 - 14 - 16mm 1/2 - 9/16 - 5/8"
NET WEIGHT	DC VR 20kg VRC 22kg HYD VR 15.5kg VRC 17kg DC VR 44lb VRC 48lb HYD VR 34lb VRC 38lb
MANUAL OPERATION	MOS (opt)



Features

- Polished stainless steel components
- Rope chain combination gypsy for rope and chain combination or chain only
- Rope Chain Management System (RCMS)
- Quick release integrated swivel chain pipe cover
- Gypsy with low profile clutch top arrangement
- Heavy duty marine grade, dual direction motor in 12V and 24V DC, Hydraulic
- Independent gypsy and capstan operation
- Capstan model features heavy duty knurled finish for increased grip
- Quick fit adaptor
- Stainless steel shaft
- Cone clutch/brake
- Stainless steel mounting bolts
- Shaft seal
- Self lubricating bush
- Clutch release handle
- Installation/Operation booklet



Options

- Manual Operation System (MOS)
- Extra deck clearance kit for deck up to 150mm/6"
- Full range of accessories including chain, rope, anchors, anchor roller, chain stoppers, snubber kits and devil claws
- Electric and hydraulic operating options and accessories
- Auto anchor