



MUIR SINCE 1968

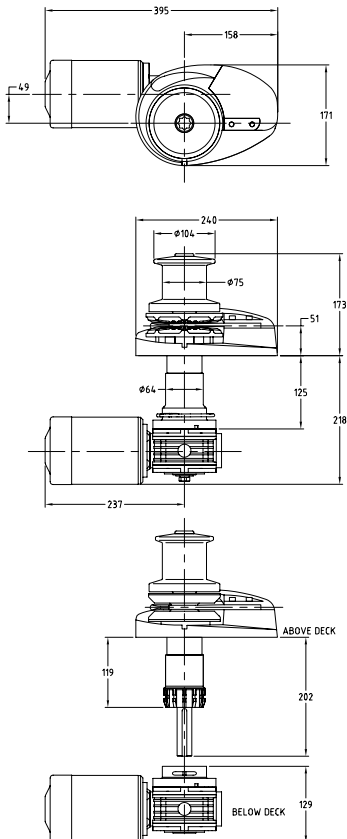
Storm VR/VRC850 **STAINLESS**



VR850



VRC850



Model	VR/VRC850
VESSEL LENGTH	8 - 11m 26 - 35ft
POWER SUPPLY (DC)	12/24V
MOTOR (Watts)	600
MAX LOAD	386kg 850lb
WORK LOAD	96kg 212lb
AMPS WORK LOAD	80/50
MAX LINE SPEED	24m/min 77ft/min
CHAIN SIZE	6 - 8 - 10mm 1/4 - 5/16 - 3/8"
ROPE SIZE	12 - 14 - 16mm 1/2 - 9/16 - 5/8"
NET WEIGHT	DC/HYD VR 15kg VRC 16.5kg DC/HYD VR 33lb VRC 37lb
MANUAL OPERATION	MOS (opt)

Features

- Polished stainless steel components.
- Rope chain combination gypsy for rope and chain combination or chain only
- Rope Chain Management System (RCMS)
- Quick release integrated swivel chain pipe cover
- Gypsy with low profile clutch top arrangement
- Heavy duty marine grade, dual direction motor in 12V and 24V DC
- Independent gypsy and capstan operation
- Capstan models feature heavy duty knurled finish for increased grip
- Quick fit adaptor
- Stainless steel shaft
- Cone clutch/brake
- Stainless steel mounting bolts
- Shaft seal
- Self lubricating bush
- Clutch release handle
- Installation/Operation booklet



Options

- Manual Operation System (MOS)
- Extra deck clearance kit for deck up to 150mm/6"
- Full range of accessories including chain, rope, anchors, anchor roller, chain stoppers, snubber kits and devil claws
- Electrical operating options and accessories
- Auto anchor