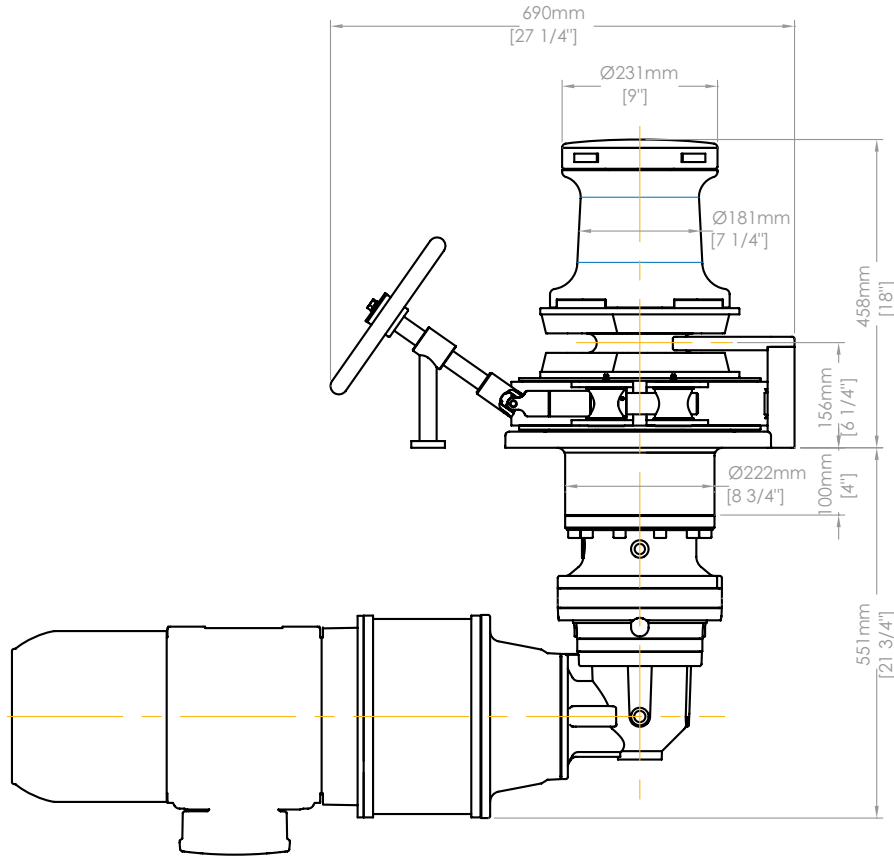




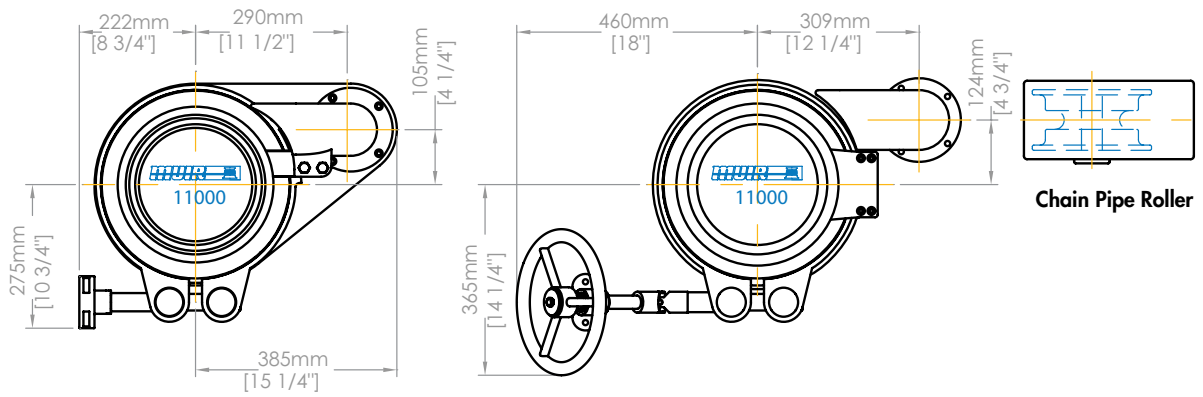
VRC11000



PERFORMANCE CRITERIA

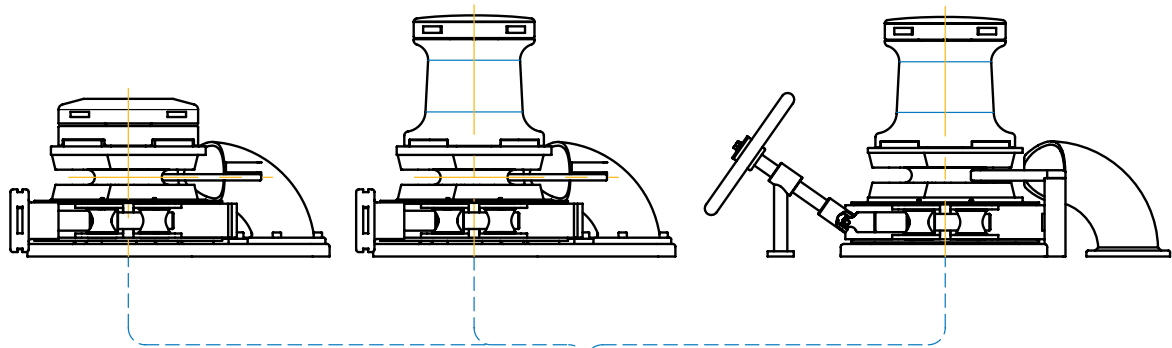
MODEL	VRC11000	VRC11000	VRC11000
Maximum Pull (kg/lb)	5000 / 11000	5000 / 11000	5000 / 11000
Continuous Pull (kg/lb)	2600 / 5720	2600 / 5720	3850 / 8470
Recommended Minimum Speed (m/pmin - f/pmin)	10 / 33	10 / 33	10 / 33
Maximum Recovery High Speed (m/pmin - f/pmin)	20 / 66	20 / 66	20 / 66
Power Supply	3PH / 50HZ	3PH / 60HZ	HYDRAULIC
Input Power (KW)	7.5	7.5	
Hydraulic Flow (l/pmin-USgpm)			30 / 7.9
Maximum Flow (l/pmin-USgpm)			60 / 15.8
Pressure (bar/PSI)			175 / 2537
Maximum Pressure (bar/PSI)			200 / 2900
Chain Size			
Short link up to	22mm	22mm	22mm
Stud link up to	20.5mm U2	20.5mm U2	20.5mm U2
Brake Size	356 / 14	356 / 14	356 / 14
Average Weight (kg/lb)	403 / 886	403 / 886	315 / 693

High Pressure 240 BAR
3600PSI optional



Standard Integral Base Base with Standard Brake and Chain Pipe

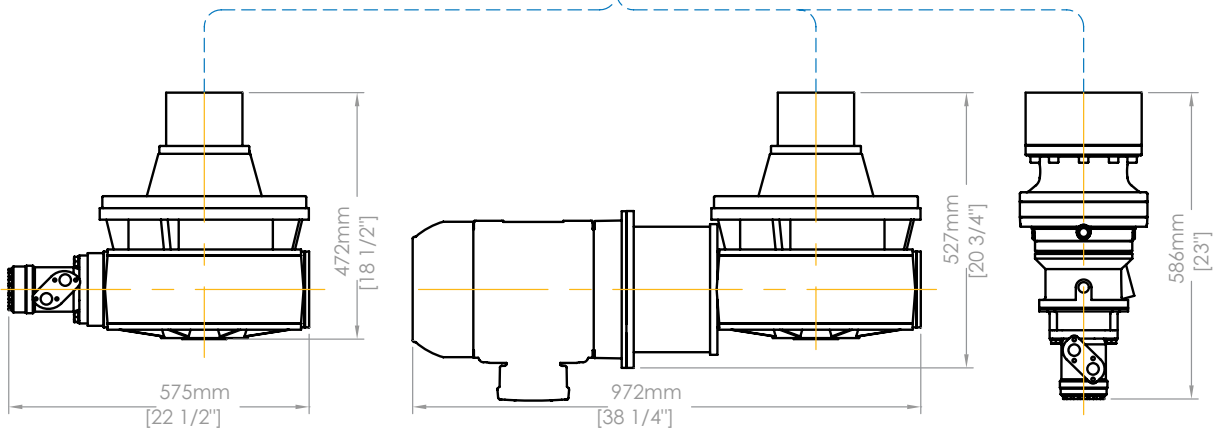
Round Base with 45° Brake and Handwheel (with Curved Chain Pipe or optional Chain Pipe Roller)



VR Low Profile Round Base Standard Brake

VRC Integral Base Standard Brake

VRC Capstan Base 45° Brake/Handwheel



Hydraulic Drive

Electric Drive

Inline Drive