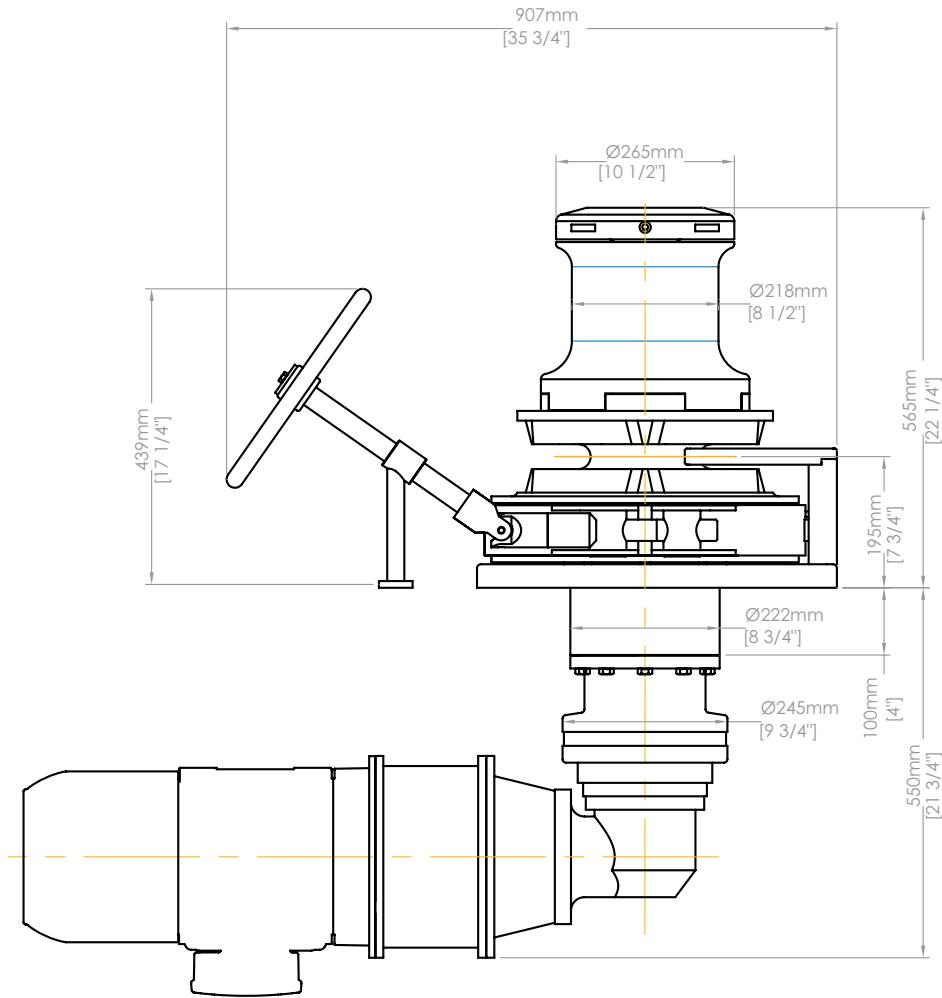




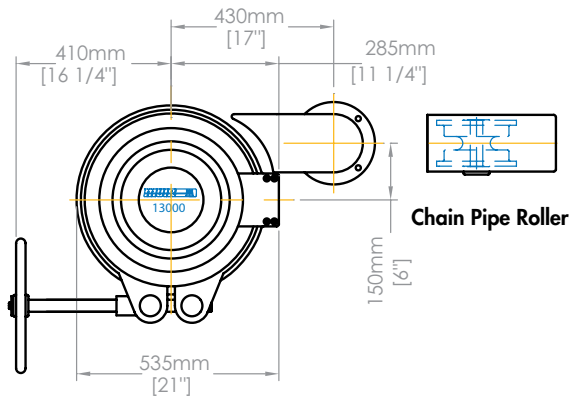
# VRC13000



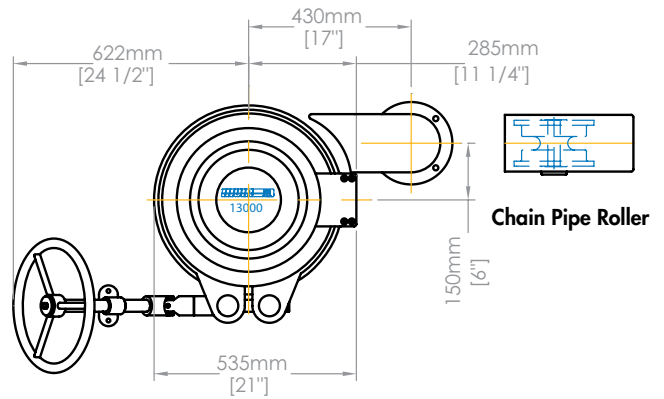
## PERFORMANCE CRITERIA

MODEL	VRC13000	VRC13000	VRC13000
Maximum Pull (kg/lb)	5909 / 13000	5909 / 13000	5909 / 13000
Continuous Pull (kg/lb)	3300 / 6966	3300 / 6966	3900 / 8580
Recommended Minimum Speed (m/pmin - f/pmin)	10 / 33	10 / 33	10 / 33
Maximum Recovery High Speed (m/pmin - f/pmin)	20 / 66	20 / 66	20 / 66
<b>Power Supply</b>	<b>3PH / 50HZ</b>	<b>3PH / 60HZ</b>	<b>HYDRAULIC</b>
Input Power (KW)	9.2	9.2	
Hydraulic Flow (l/pmin-USgpm)			32 / 8.5
Maximum Flow (l/pmin-USgpm)			64 / 17
Pressure (bar/PSI)			175 / 2537
Maximum Pressure (bar/PSI)			200 / 2900
<b>Chain Size</b>			
Short link up to	22mm	22mm	22mm
Stud link up to	24mm U2 / 22m U3	24mm U2 / 22m U3	24mm U2 / 22m U3
<b>Brake Size</b>	457 / 18	457 / 18	457 / 18
<b>Average Weight (kg/lb)</b>	520 / 1144	520 / 1144	400 / 880

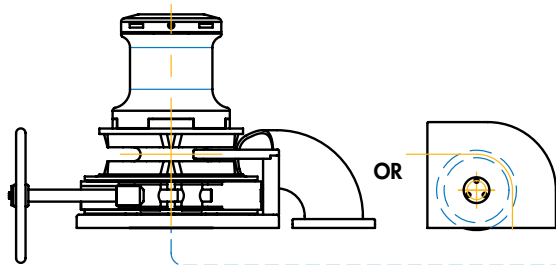
High Pressure 240 BAR  
3600PSI optional



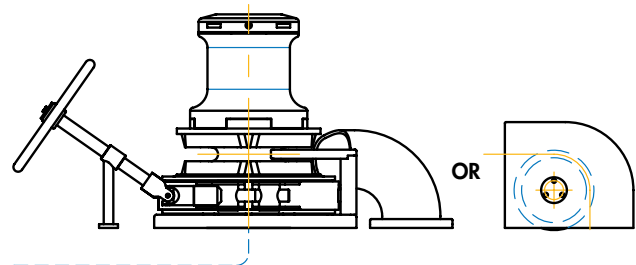
**Round Base Standard Brake**  
(with Curved Chain Pipe or optional Chain Pipe Roller)



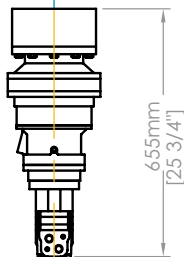
**Round Base with 45° Brake and Handwheel**  
(with Curved Chain Pipe or optional Chain Pipe Roller)



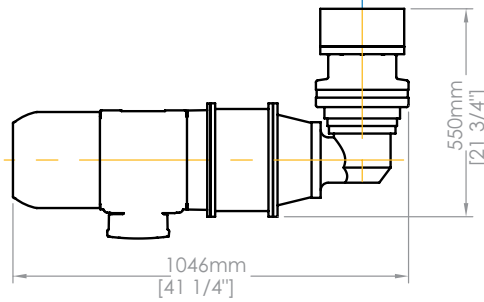
**Round Base Standard Brake**



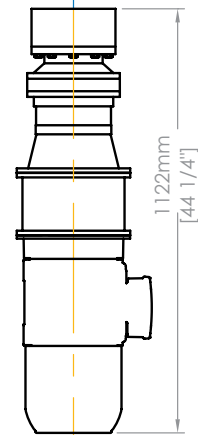
**Round Base 45° Brake/Handwheel**



**Hydraulic Drive - Inline Planetary**



**Electric Drive**



**AC Planetary Drive**