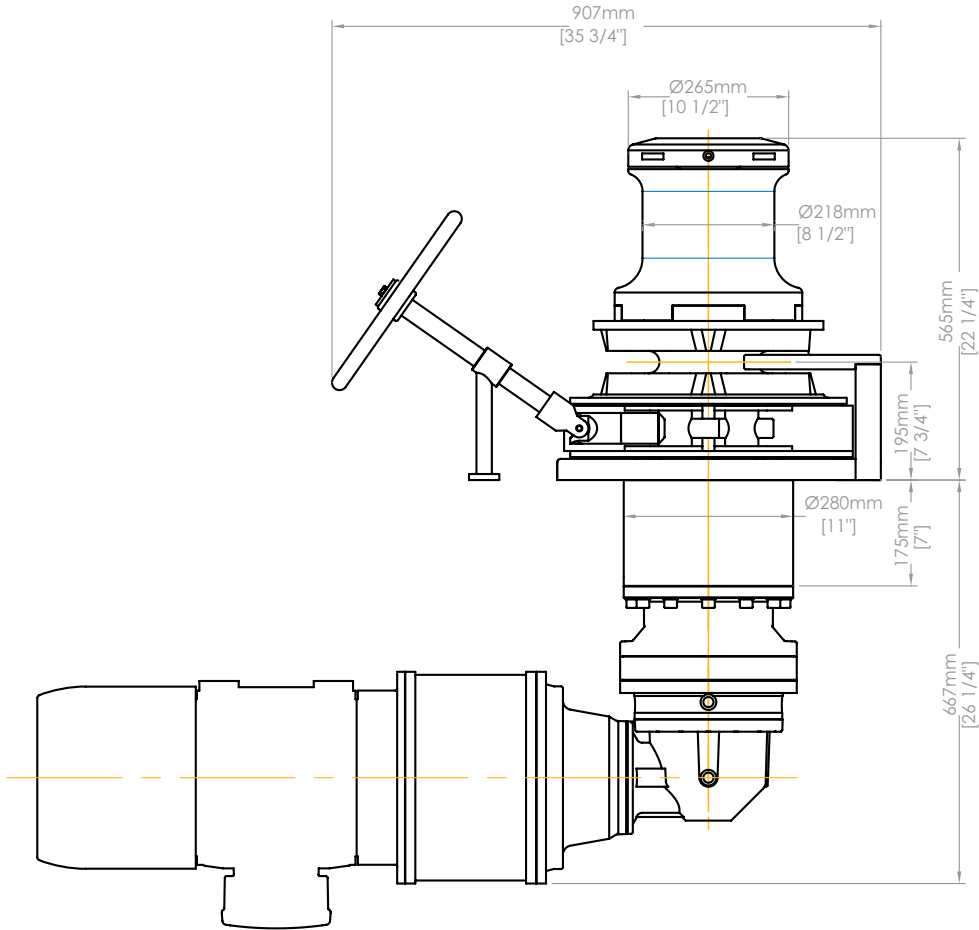




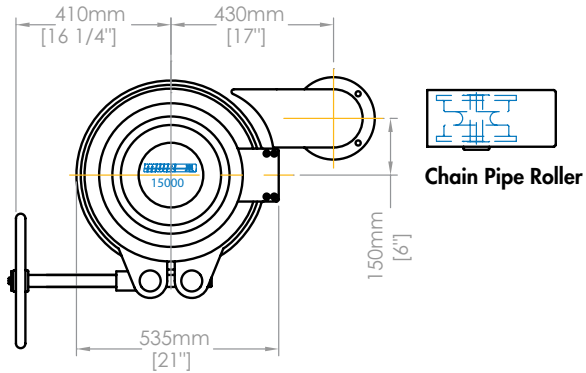
# VRC15000



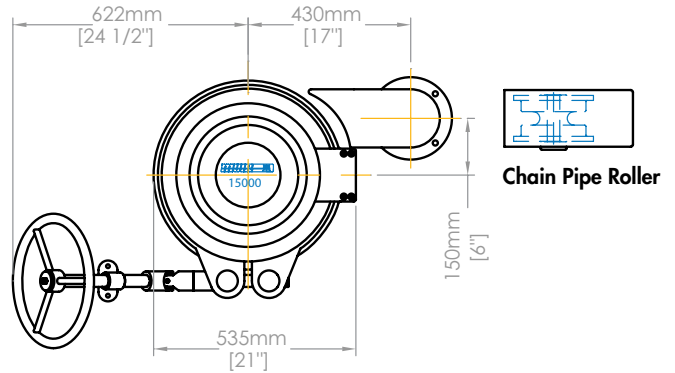
## PERFORMANCE CRITERIA

MODEL	VRC15000	VRC15000	VRC15000
Maximum Pull (kg/lb)	6818 / 15000	6818 / 15000	6818 / 15000
Continuous Pull (kg/lb)	3600 / 7920	3600 / 7920	4300 / 9460
Recommended Minimum Speed (m/pmin - f/pmin)	10 / 33	10 / 33	10 / 33
Maximum Recovery High Speed (m/pmin - f/pmin)	20 / 66	20 / 66	20 / 66
<b>Power Supply</b>	<b>3PH / 50HZ</b>	<b>3PH/60HZ</b>	<b>HYDRAULIC</b>
Input Power (KW)	9.2/11	9.2/ 11	
Hydraulic Flow (l/pmin-USgpm)			34 / 9
Maximum Flow (l/pmin-USgpm)			68 / 18
Pressure (bar/PSI)			175 / 2537
Maximum Pressure (bar/PSI)			200 / 2900
<b>Chain Size</b>			
Stud link up to	26mm U2 / 24mm U3	26mm U2 / 24mm U3	26mm U2 / 24mm U3
<b>Brake Size</b>	457 / 18	457 / 18	457 / 18
<b>Average Weight (kg/lb)</b>	640 / 1408	640 / 1408	520 / 1144

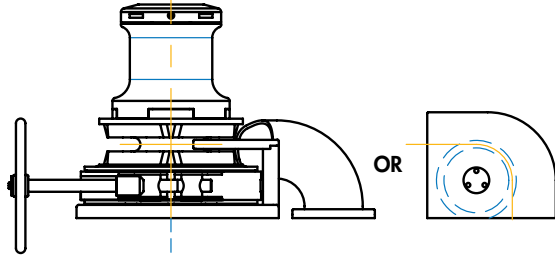
High Pressure 240 BAR  
3600PSI optional



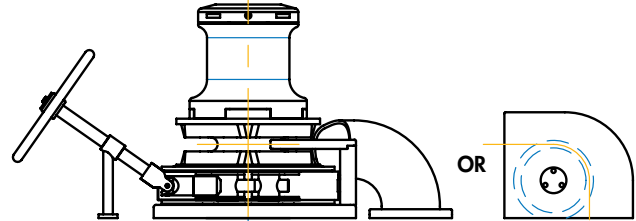
**Round Base Standard Brake**  
(with Curved Chain Pipe or optional Chain Pipe Roller)



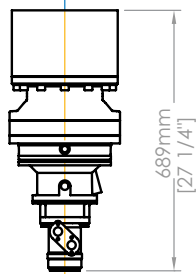
**Round Base 45° with Brake and Handwheel**  
(with Curved Chain Pipe or optional Chain Pipe Roller)



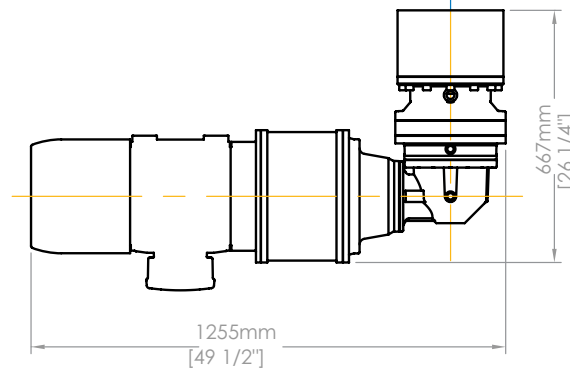
**Round Base Standard Brake**



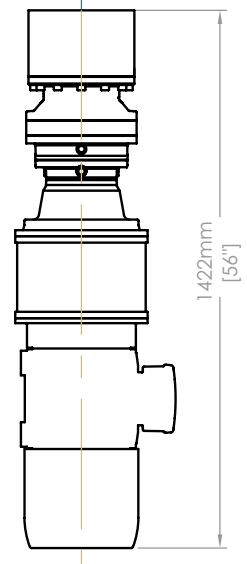
**Round Base 45° Brake/Handwheel**



**Hydraulic Drive**



**Electric Drive**



**AC Planetary Drive**