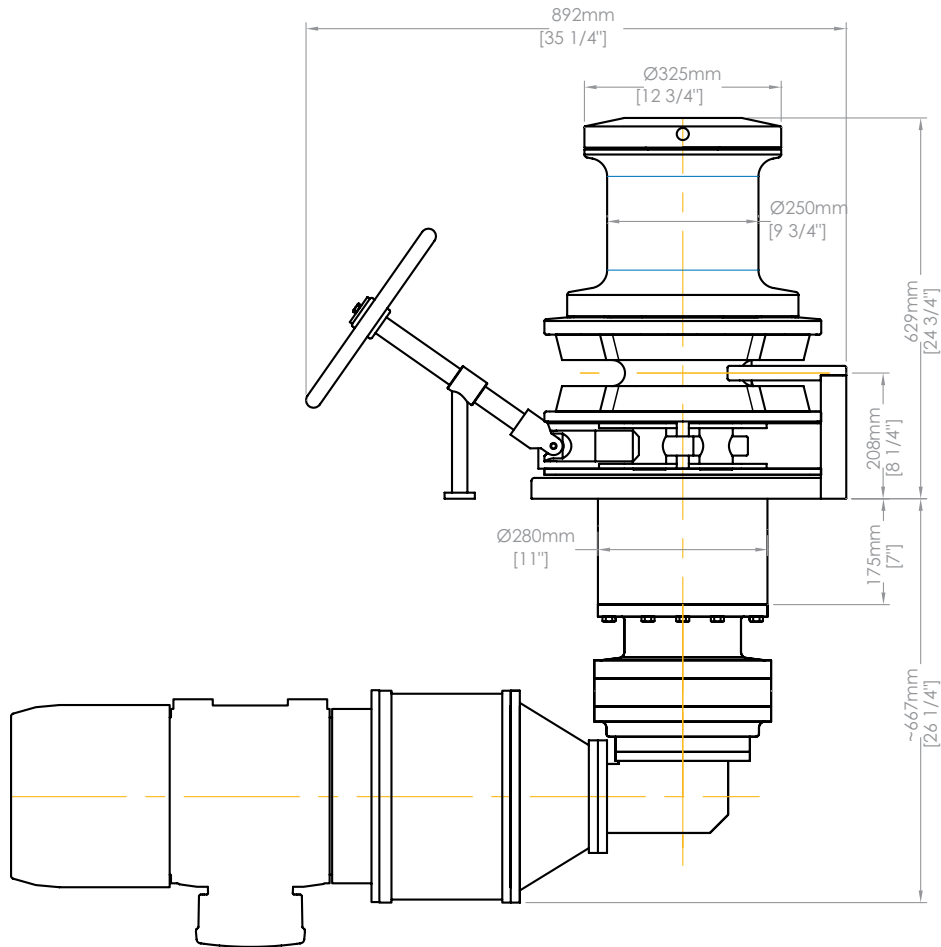


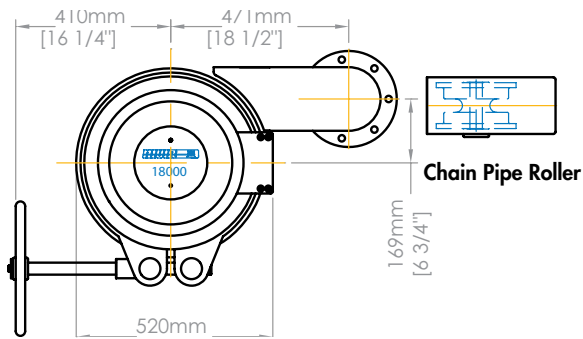


# VRC18000

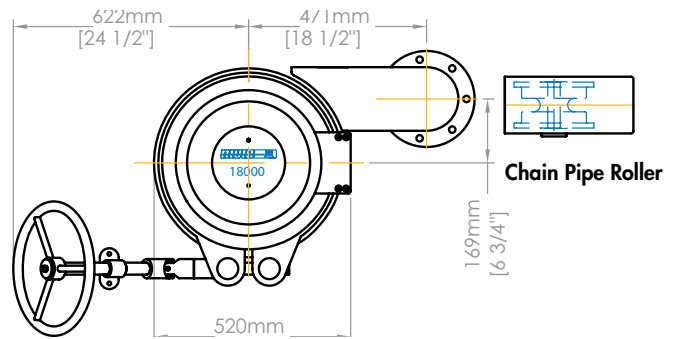


## PERFORMANCE CRITERIA

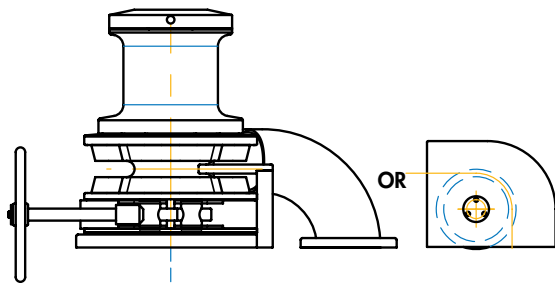
MODEL	VRC18000	VRC18000	VRC18000
Maximum Pull (kg/lb)	8180 / 18000	8180 / 18000	8180 / 18000
Continuous Pull (kg/lb)	4400 / 9680		4900 / 10780
Recommended Minimum Speed (m/pmin - f/pmin)	10 / 33	10 / 33	10 / 33
Maximum Recovery High Speed (m/pmin - f/pmin)	20 / 66	20 / 66	20 / 66
<b>Power Supply</b>	<b>3PH / 50HZ</b>	<b>3PH / 60HZ</b>	<b>HYDRAULIC</b>
Input Power (KW)	11	11	
Hydraulic Flow (l/pmin-USgpm)			39 / 10.3
Maximum Flow (l/pmin-USgpm)			78 / 20.6
Pressure (bar/PSI)			210 / 3045
Maximum Pressure (bar/PSI)			250 / 3625
<b>Chain Size</b>			
Stud link up to	28mm U2 / 24mm U3	28mm U2 / 24mm U3	28mm U2 / 24mm U3
<b>Brake Size</b>	457 / 18	457 / 18	457 / 18
<b>Average Weight (kg/lb)</b>	697 / 1533	697 / 1533	582 / 1280



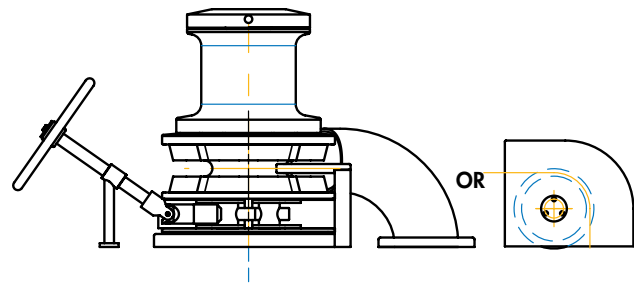
**Round Base Standard Brake**  
(with Curved Chain Pipe or optional Chain Pipe Roller)



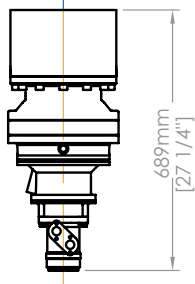
**Round Base 45° with Brake and Handwheel**  
(with Curved Chain Pipe or optional Chain Pipe Roller)



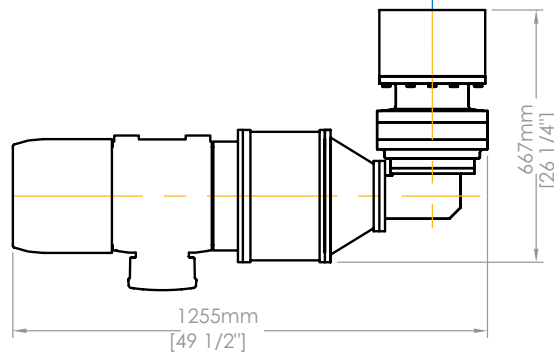
**Round Base Standard Brake**



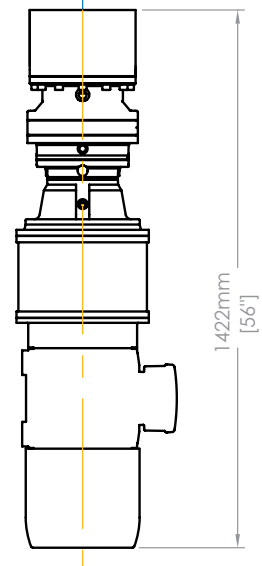
**Round Base 45° Brake/Handwheel**



**Hydraulic Drive**



**Electric Drive**



**AC Planetary Drive**