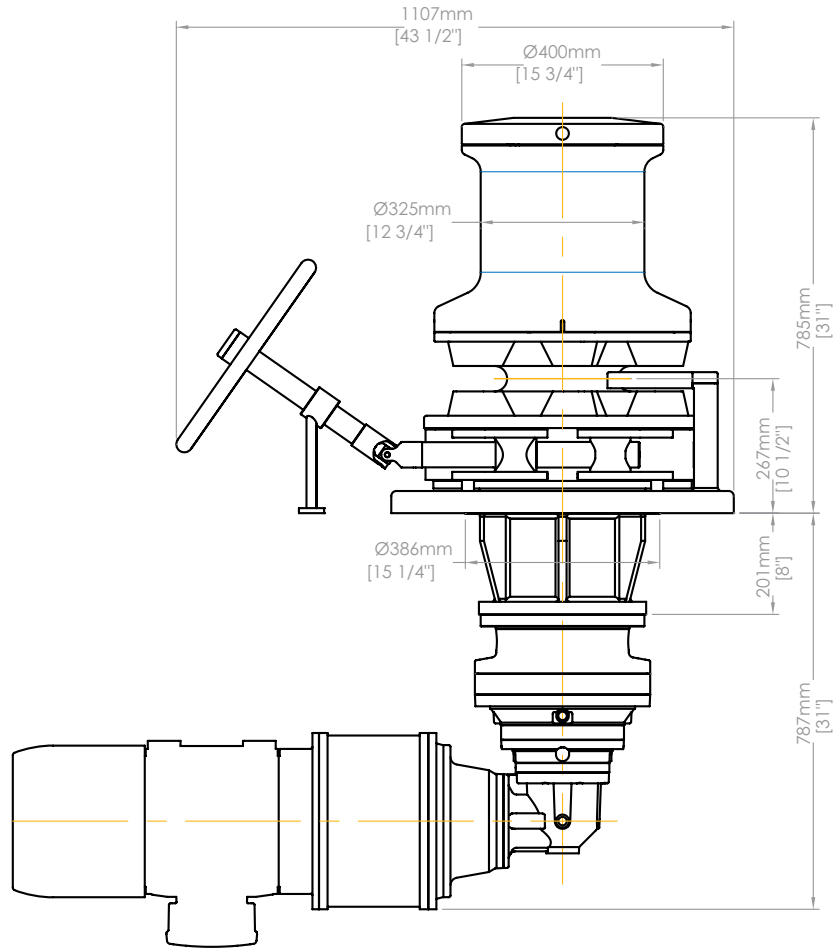


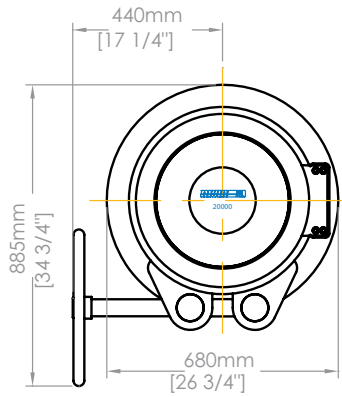


# VRC20000

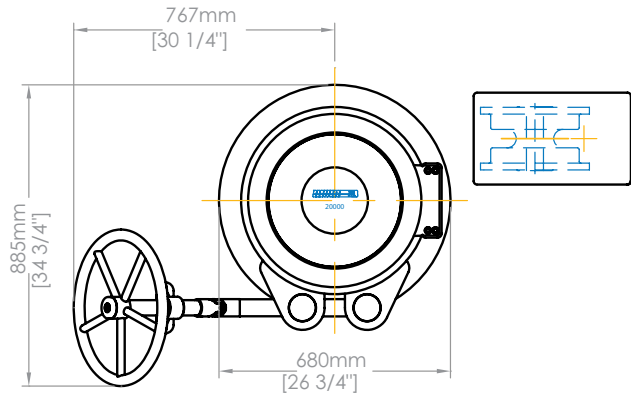


## PERFORMANCE CRITERIA

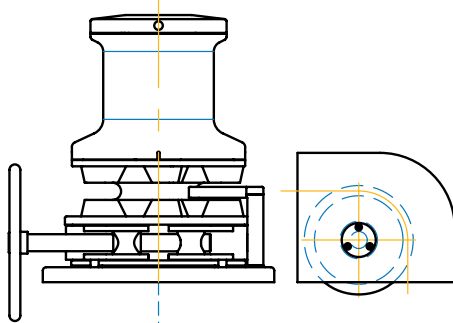
MODEL	VRC20000	VRC20000	VRC20000
Maximum Pull (kg/lb)	9090 / 20000	9090 / 20000	9090 / 20000
Continuous Pull (kg/lb)	6000 / 13200	6000 / 13200	7200 / 15840
Recommended Minimum Speed (m/pmin - f/pmin)	10 / 33	10 / 33	10 / 33
Maximum Recovery High Speed (m/pmin - f/pmin)	20 / 66	20 / 66	20 / 66
<b>Power Supply</b>	<b>3PH / 50HZ</b>	<b>3PH / 60HZ</b>	<b>HYDRAULIC</b>
Input Power (KW)	11 / 15	11 / 15	
Hydraulic Flow (l/pmin-USgpm)			50 / 13
Maximum Flow (l/pmin-USgpm)			98 / 25
Pressure (bar/PSI)			210 / 3045
Maximum Pressure (bar/PSI)			250 / 3635
<b>Chain Size</b>			
Stud link up to	28mm U3 / 32mm U2	28mm U3 / 32mm U2	28mm U3 / 32mm U2
<b>Brake Size</b>	520 / 24	520 / 24	520 / 24
<b>Average Weight (kg/lb)</b>	1200	1200	1015



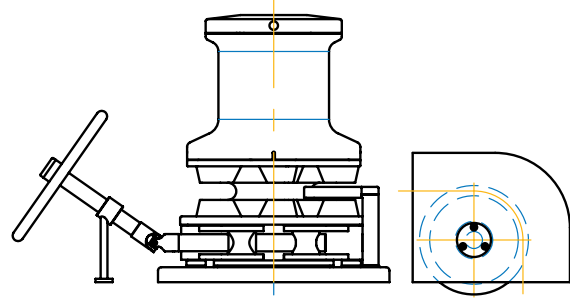
**Round Base Standard Brake**



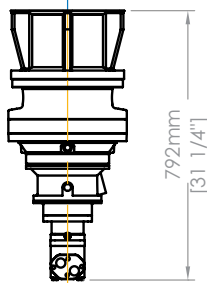
**Round Base with 45° Brake and Handwheel with Chain Pipe Roller**



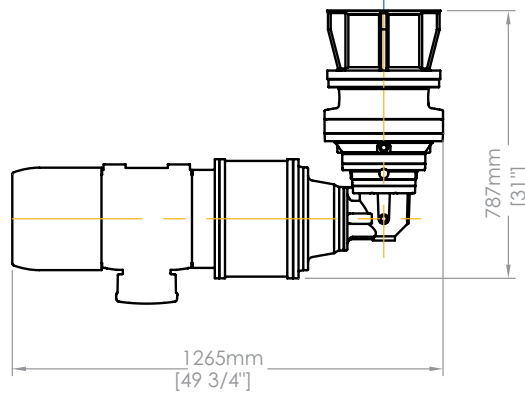
**Round Base Standard Brake**



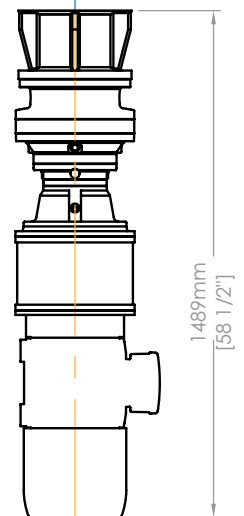
**Round Base 45° Brake/Handwheel**



**Hydraulic Drive**



**Electric Drive**



**AC Planetary Drive**