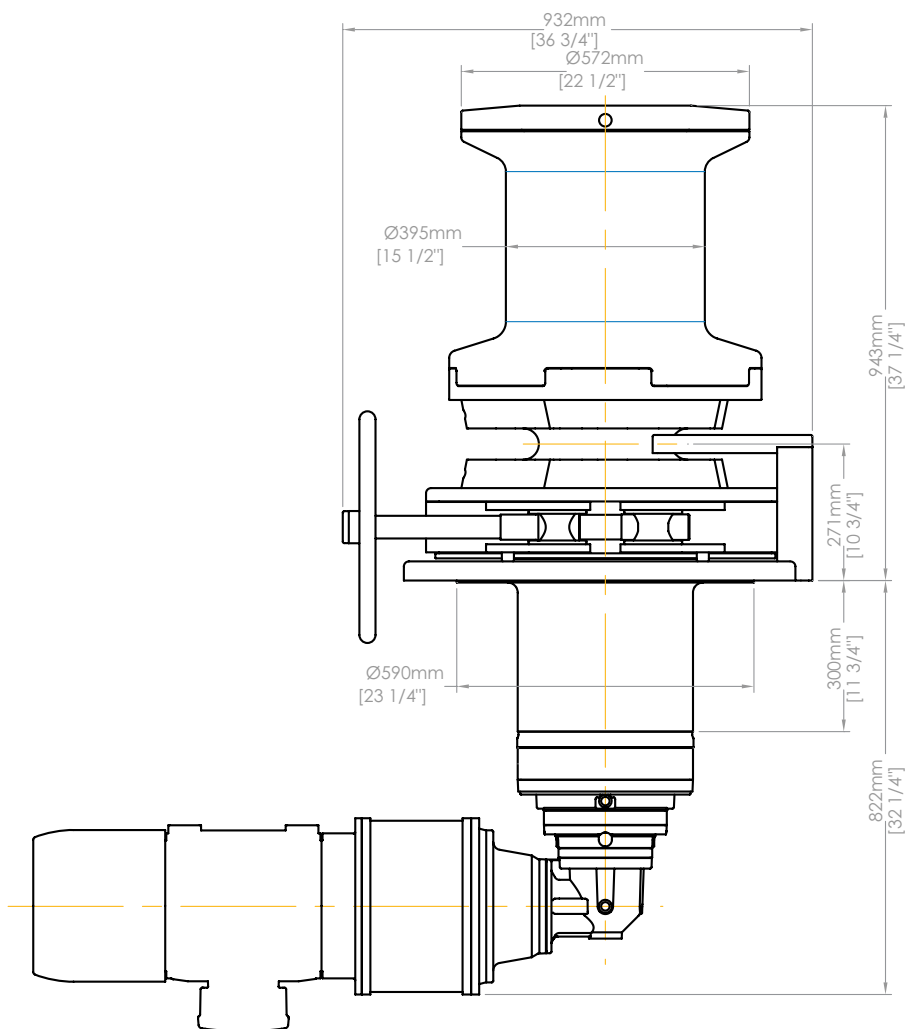


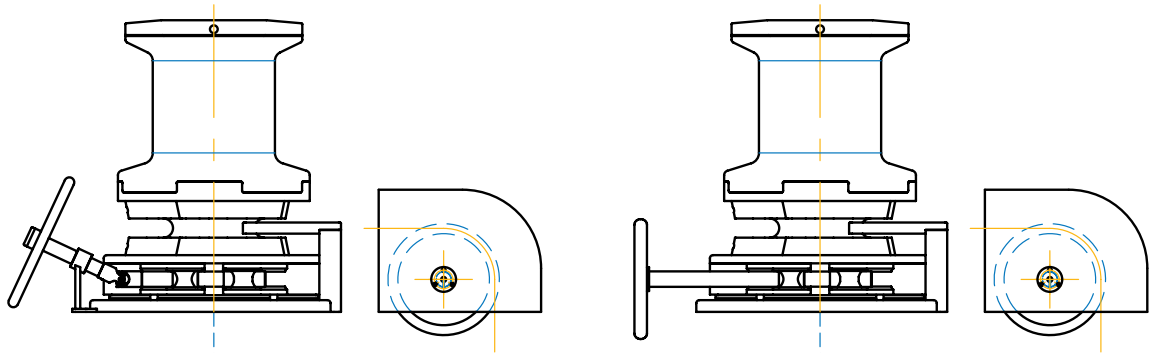
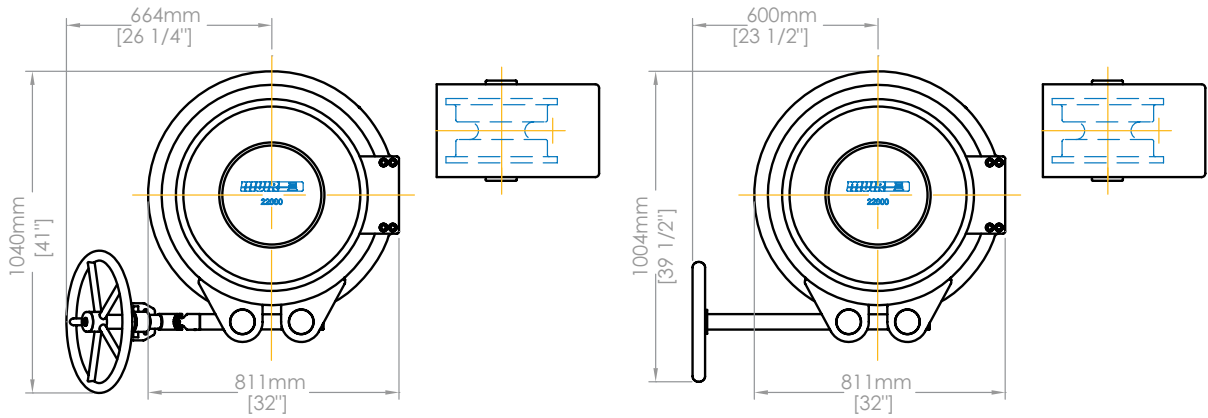


# VRC22000



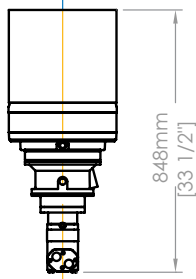
## PERFORMANCE CRITERIA

MODEL	VRC22000	VRC22000	VRC22000
Maximum Pull (kg/lb)	10000 / 22000	10000 / 22000	10000 / 22000
Continuous Pull (kg/lb)	7000 / 15400	7000 / 15400	7500 / 15500
Recommended Minimum Speed (m/pmin - f/pmin)	10 / 33	10 / 33	10 / 33
Maximum Recovery High Speed (m/pmin - f/pmin)	20 / 66	20 / 66	20 / 66
<b>Power Supply</b>	<b>3PH / 50HZ</b>	<b>3PH / 60HZ</b>	<b>HYDRAULIC</b>
Input Power (KW)	15 / 18.2KW	15 / 18.2KW	
Hydraulic Flow (l/pmin-USgpm)			65 / 17.2
Maximum Flow (l/pmin-USgpm)			120 / 31.7
Pressure (bar/PSI)			210 / 3045
Maximum Pressure (bar/PSI)			250 / 3625
<b>Chain Size</b>			
Stud link up to	34mm U3/ 36MM U2	34mm U3/ 36MM U2	34mm U3/ 36MM U2
<b>Brake Size</b>	610 / 24	610 / 24	610 / 24
<b>Average Weight (kg/lb)</b>	1750 / 3850	1750 / 3850	1700 / 3740

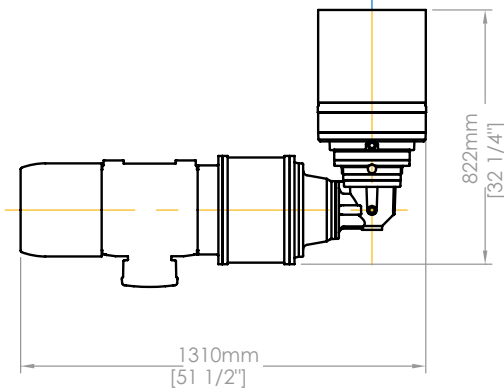


Round Base with 45° Brake and Handwheel and Chain Pipe Roller

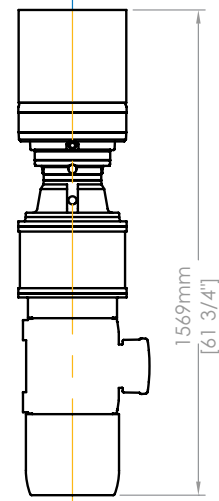
Round Base with Standard Brake and Chain Pipe Roller



Hydraulic Drive



Electric Drive



AC Planetary Drive