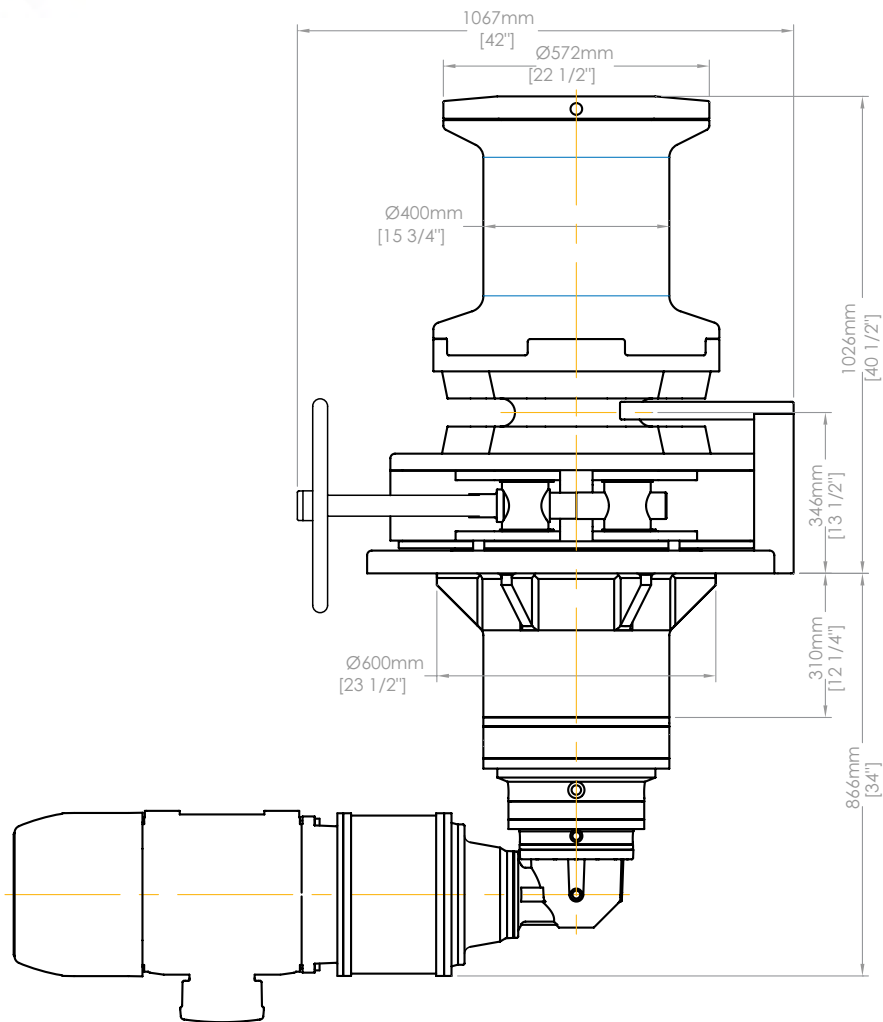




MUIR SINCE 1968

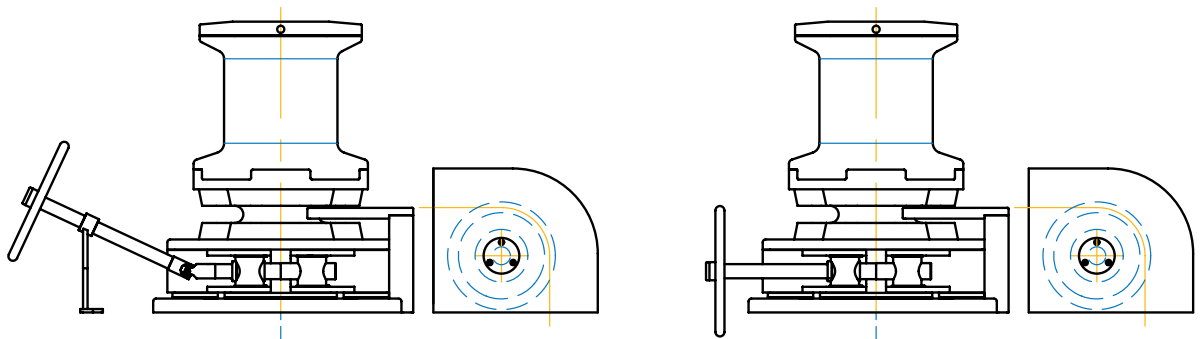
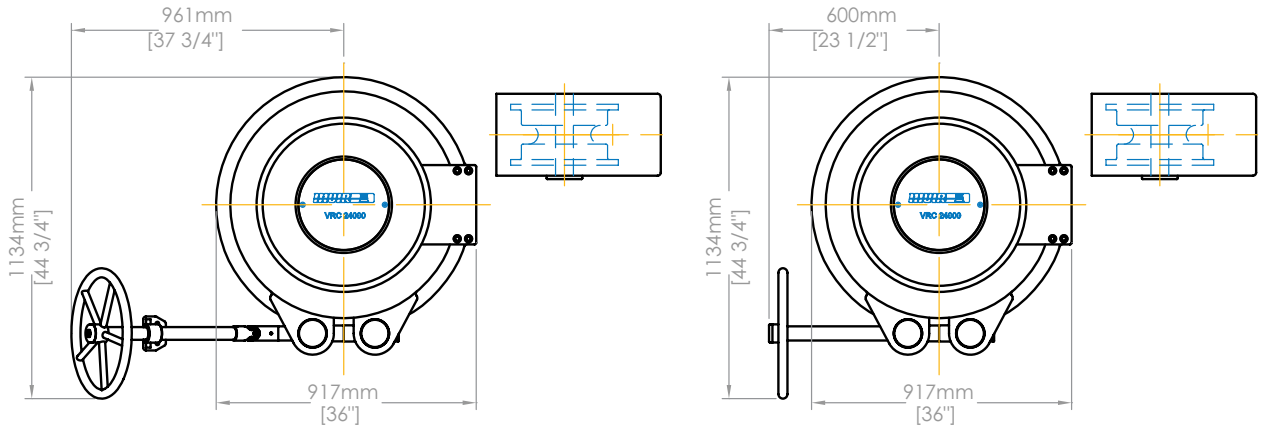
VRC24000 NEW



PERFORMANCE CRITERIA

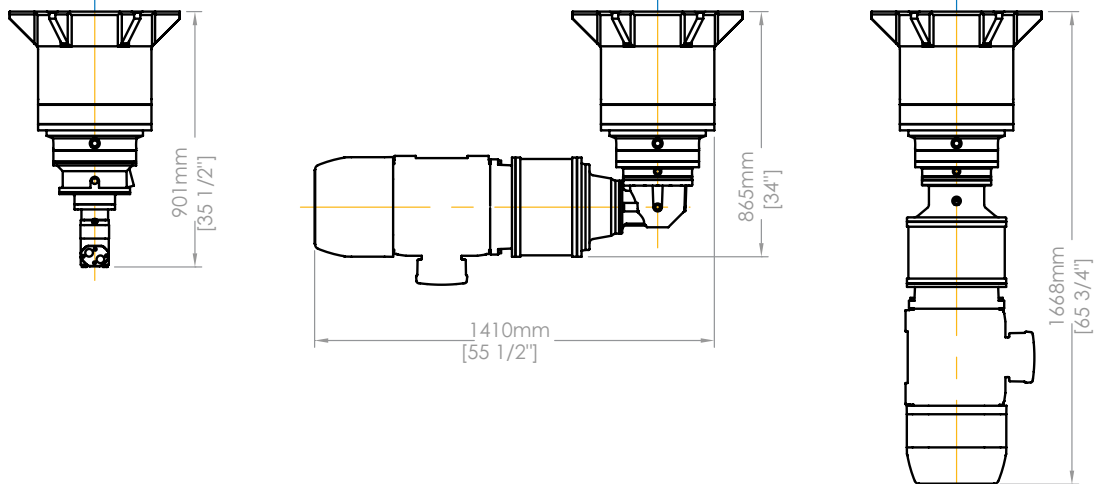
MODEL	VRC24000	VRC24000	VRC24000
Maximum Pull (kg/lb)	11500 / 25300	11500 / 25300	11500 / 25300
Continuous Pull (kg/lb)	8500 / 18700	8500 / 18700	8500 / 18700
Recommended Minimum Speed (m/pmin - f/pmin)	10 / 33	10 / 33	10 / 33
Maximum Recovery High Speed (m/pmin - f/pmin)	20 / 66	20 / 66	20 / 66
Power Supply	3PH / 50HZ	3PH / 60HZ	HYDRAULIC
Input Power (KW)	18.2 / 22	18.2 / 22	
Hydraulic Flow (l/pmin-USgpm)			65 / 17.2
Maximum Flow (l/pmin-USgpm)			120 / 31.7
Pressure (bar/PSI)			210 / 3045
Maximum Pressure (bar/PSI)			250 / 3625
Chain Size			
Stud link up to	38mm U3 / 42mm U2	38mm U3 / 42mm U2	38mm U3 / 42mm U2
Brake Size	725 / 30	725 / 30	725 / 30
Average Weight (kg/lb)	2300 / 5060	2300 / 5060	2150 / 4730

VRC24000



**Round Base with 45° Brake and Handwheel
with Chain Pipe Roller**

**Round Base with Standard Brake
and Chain Pipe Roller**



Hydraulic Drive

Electric Drive

AC Planetary Drive