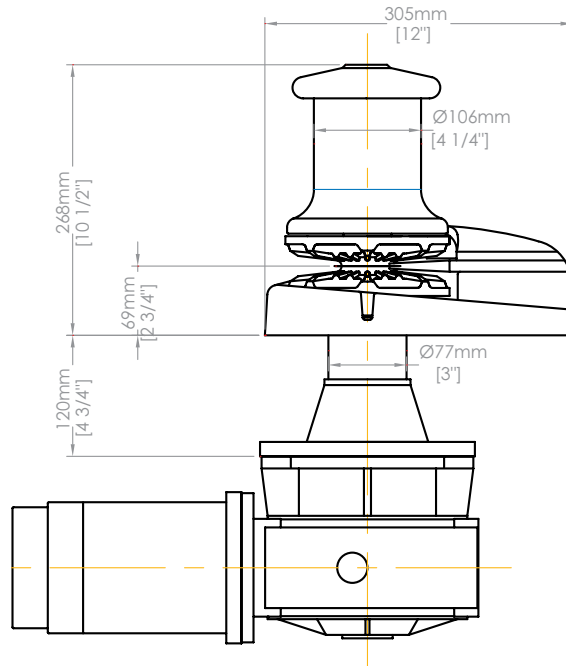




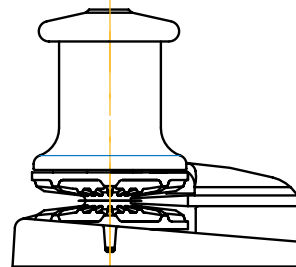
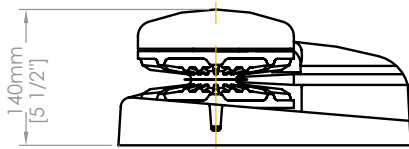
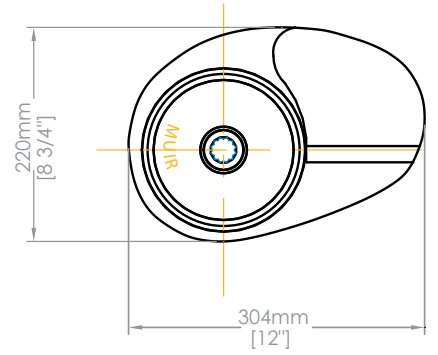
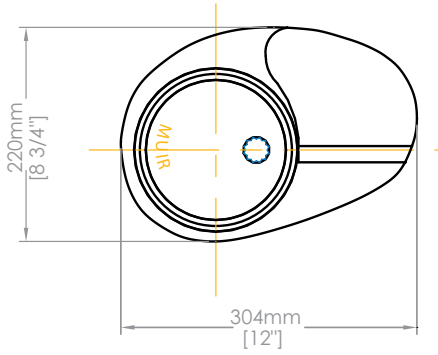
MUIR SINCE 1968

VRC4000



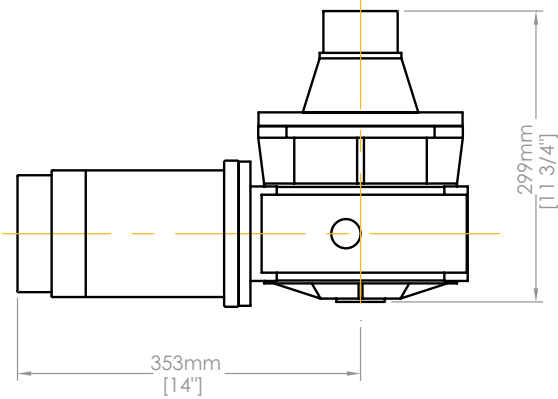
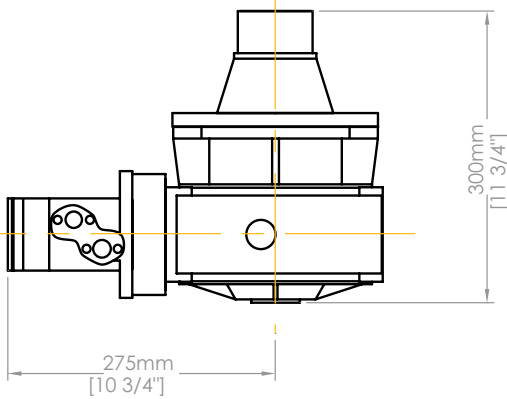
PERFORMANCE CRITERIA

MODEL	VRC4000 / 86	VRC4000 / 86	VRC4000 / 86	VRC4000 / 86
Maximum Pull (kg/lb)	1818 / 4000	1818 / 4000	1818 / 4000	1818 / 4000
Continuous Pull (kg/lb)	720 / 1584	810 / 1760		1200 / 2640
Recommended Minimum Speed (m/pmin - f/pmin)	16 / 52	10 / 33	10 / 33	10 / 33
Maximum Recovery High Speed (m/pmin - f/pmin)		20 / 66	20 / 66	20 / 66
Power Supply	24VDC	3PH / 50HZ	3PH / 60HZ	HYDRAULIC
Input Power (KW)	2000W	2.2	2.2	
Hydraulic Flow (l/pmin-USgpm)				22 / 5.8
Maximum Flow (l/pmin-USgpm)				43 / 11.36
Pressure (bar/PSI)				175 / 2537
Maximum Pressure (bar/PSI)				200 / 2900
Chain Size				
Short link up to	13mm or 1/2"	13mm or 1/2"	13mm or 1/2"	13mm or 1/2"
Stud link up to				
Brake Size				
Average Weight (kg/lb)	83 / 183	110 / 242	110 / 242	80 / 176



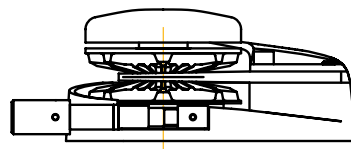
VR Low Profile

VRC Capstan



Hydraulic Drive

Electric Drive



Optional Brake Band