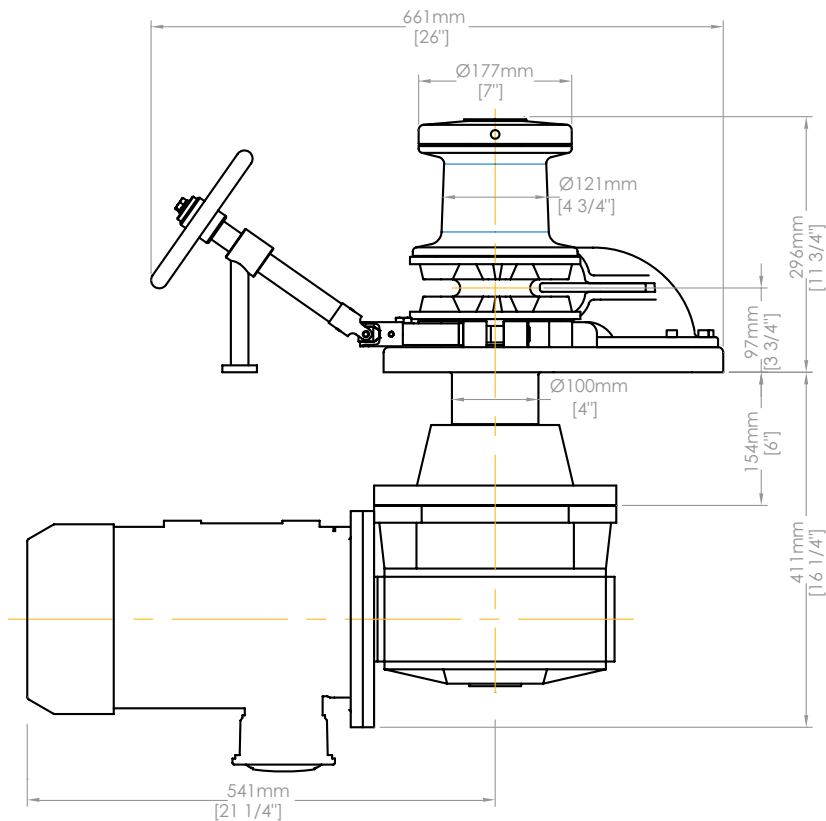




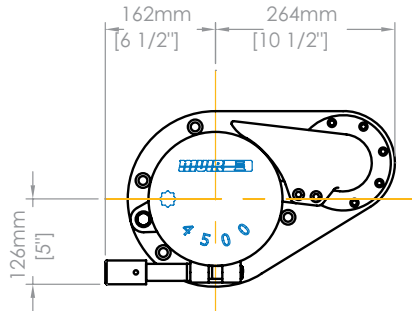
VRC4500



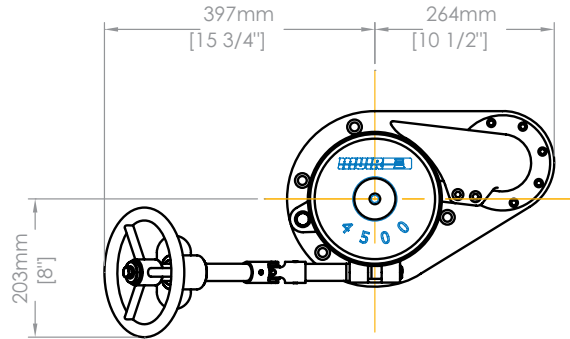
PERFORMANCE CRITERIA

MODEL	VRC4500	VRC4500	VRC4500	VRC4500
Maximum Pull (kg/lb)	2045 / 4500	2045 / 4500	2045 / 4500	2045 / 4500
Continuous Pull (kg/lb)	950 / 2090	1050 / 2310	1050 / 2310	1600 / 3520
Recommended Minimum Speed (m/pmin - f/pmin)	14 / 46	10 / 33	10 / 33	10 / 33
Maximum Recovery High Speed (m/pmin - f/pmin)		20 / 66	20 / 66	20 / 66
Power Supply	24VDC	3PH / 50HZ	3PH / 60HZ	HYDRAULIC
Input Power (KW)	2500/3500W	4	4	
Hydraulic Flow (l/pmin-USgpm)				26 / 6.9
Maximum Flow (l/pmin-USgpm)				52 / 13.8
Pressure (bar/PSI)				175 / 2537
Maximum Pressure (bar/PSI)				200 / 2900
Chain Size				
Short link up to	16mm / 5/8"	16mm / 5/8"	16mm / 5/8"	16mm / 5/8"
Stud link up to	14mm U2	14mm U2	14mm U2	14mm U2
Brake Size	150mm / 6"	150mm / 6"	150mm / 6"	150mm / 6"
Average Weight (kg/lb)	125 / 275	155 / 341	155 / 341	113 / 248

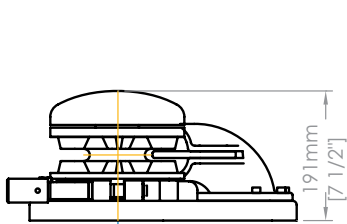
[Note - Deduct 2kg / 4.4lb for VR models]



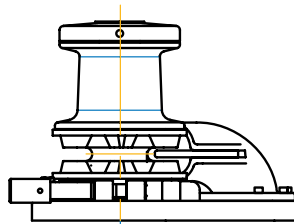
VR Low Profile Standard Brake



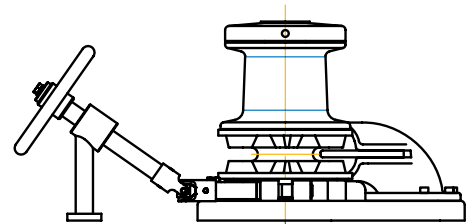
Integral Base 45° Brake with Handwheel and Chain Pipe



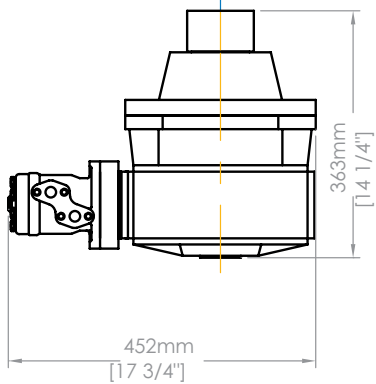
VR Low Profile Standard Brake



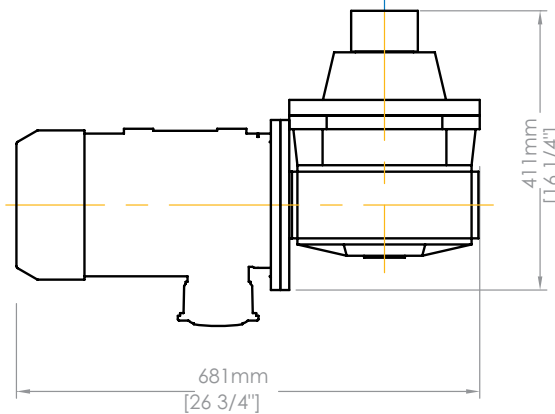
VRC Capstan Standard Brake



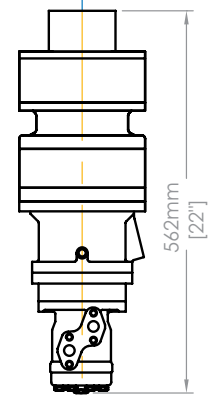
VRC Capstan 45° Brake/Handwheel



Hydraulic Drive



Electric Drive



Inline Drive