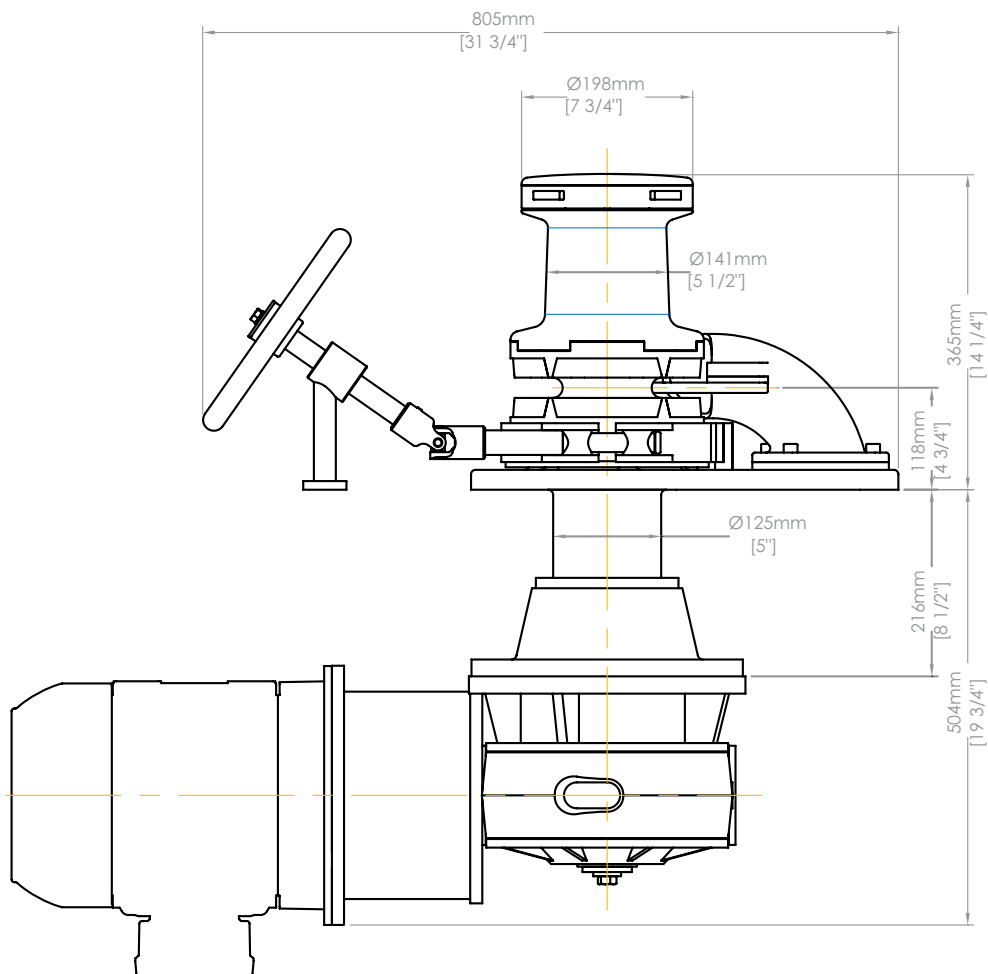




VRC6000

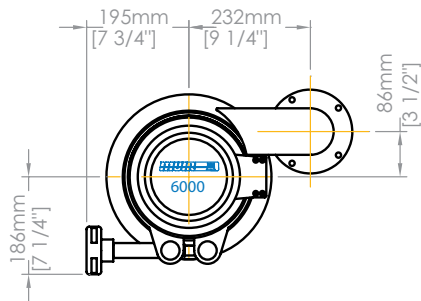


PERFORMANCE CRITERIA

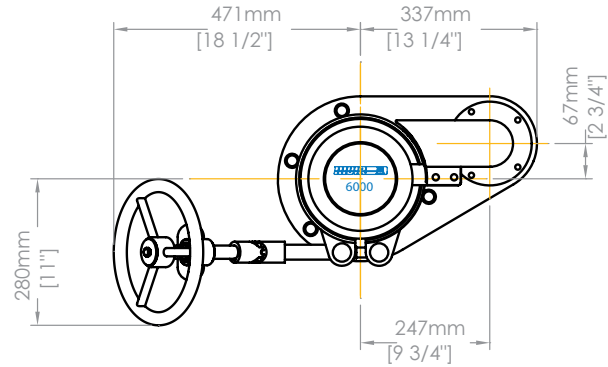
MODEL	VRC6000	VRC6000	VRC6000	VRC6000
Maximum Pull (kg/lb)	2727 / 6000	2727 / 6000	2727 / 6000	2727 / 6000
Continuous Pull (kg/lb)	1300 / 2860	1430 / 3146	1430 / 3146	2138 / 4703
Recommended Minimum Speed (m/pmin - f/pmin)	15 / 50	11 / 36	14 / 33	10 / 33
Maximum Recovery High Speed (m/pmin - f/pmin)		22 / 72	22 / 72	20/66
Power Supply	24 VOLT	3PH / 50HZ	3PH / 60HZ	HYDRAULIC
Input Power (KW)	3.5	5.5	5.5	
Hydraulic Flow (l/pmin-USgpm)				28 / 7.4
Maximum Flow (l/pmin-USgpm)				56 / 14.8
Pressure (bar/PSI)				175 / 2537
Maximum Pressure (bar/PSI)				200 / 2900
Chain Size				
Short link up to		16mm / 5/8"	16mm / 5/8"	16mm / 5/8"
Stud link up to		16mm U2	16mm U2	16mm U2
Brake Size		230mm / 9"	230mm / 9"	230mm / 9"
Average Weight (kg/lb)		245 / 539	245 / 539	176 / 387

High Pressure 240 BAR
3600PSI optional

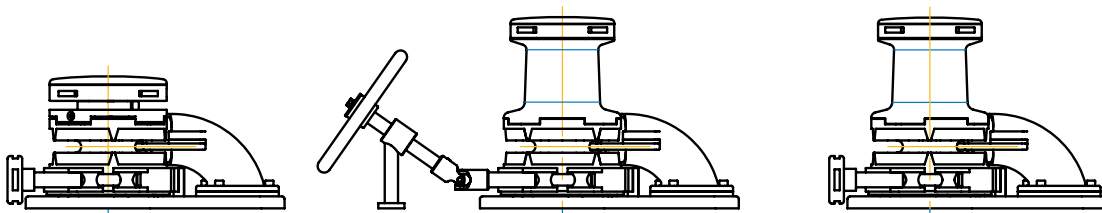
(Note - Deduct 2kg / 4.4lb for VR models)



Round Base Standard Brake



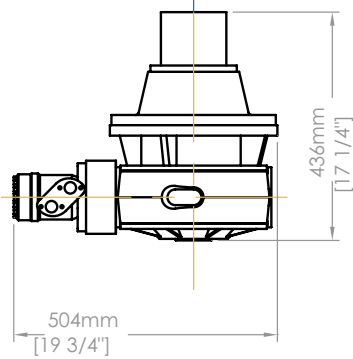
Integral Base 45° Brake with Handwheel and Chain Pipe



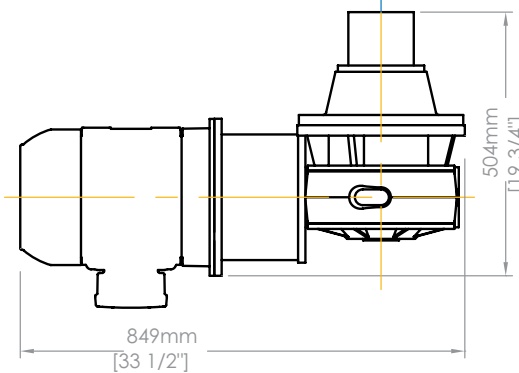
VR Low Profile Round Base Standard Brake

VRC Integral Base Standard Brake

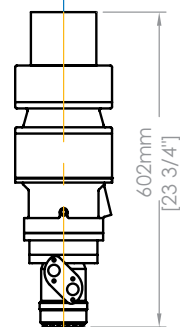
VRC Capstan Base 45° Brake/Handwheel



Hydraulic Drive



Electric Drive



Planetary Drive