

MUIR



Recreational Equipment Guide
Anchor Winches and Windlasses



Since 1968. Built to last.

For over a century the Muir name has been synonymous with ship building and marine engineering, and for over 55 years Muir has been designing and crafting anchor winches and anchoring systems that are the benchmark for performance, quality and innovation.

Our reputation is built on the back of the hard work of our founder, Robert John Muir, who grew up in the portside suburb of Battery Point, down the road from the “Shipwright’s Arms” Hotel. Hailing from a family of seafarers and shipwrights, John was destined from a career in the marine industry, and it was next to his father’s boat building business, that he developed the very first Muir anchor winches. The advice from his father, Jock Muir, continues to prove pivotal in building and maintaining the reputation Muir carries to this day:

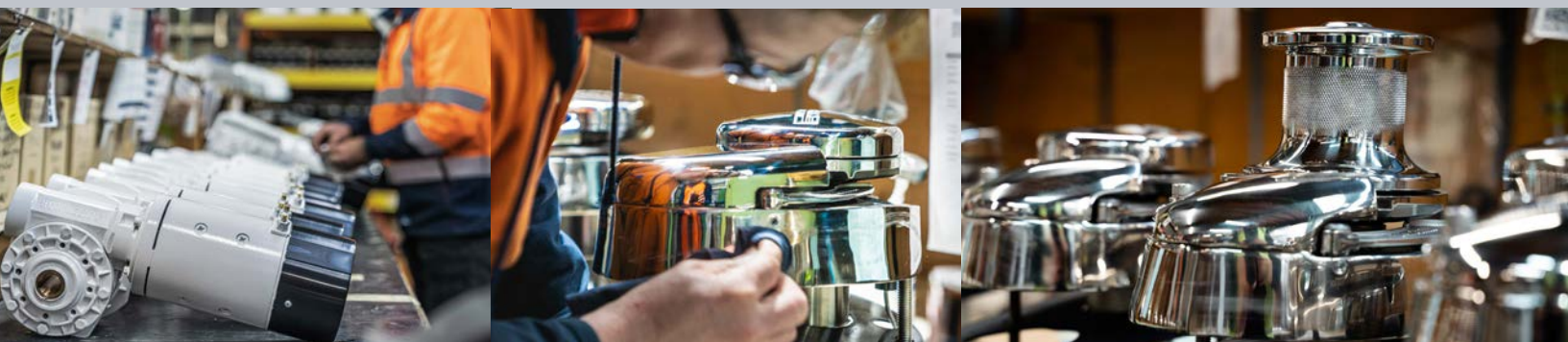
“MAKE SURE THE WINCH YOU DESIGN AND BUILD IS STRONGER THAN THE DECK IT’S BOLTED DOWN TO.”

Our team remain committed to honouring this founding vision in our Tasmanian production facility and we now craft anchoring systems for a wide range of vessels.

From a 5-metre vessel to the world’s largest mega yachts, Muir products are requested around the globe and used by leading recreational, mega yacht and commercial maritime brands including Feadship, Luerssen, Incat, Austal, Damen, Moonen, Riviera, Maritimo, and Telwater.

In support of our equipment, our global network of experienced sales managers and service groups combined with a trusted international distribution network, ensures that we can deliver quality anchoring systems and spares to you, no matter what size your vessel is.

To this day, Muir remains an Australian, family owned business, and is the only remaining specialised Anchoring Systems manufacturer.



Contents

- 4** Selecting a Windlass
- 8** Vertical Windlasses
- 18** Horizontal Windlasses
- 25** Vertical Powered Capstans
- 29** Drum Winches
- 33** Accessories
- 35** Anchor Chain
- 36** Anchor Rodes and Rope Chains



Selecting a Windlass

Selecting the appropriate windlass and ground tackle for your vessel and application ensures efficient deployment and retrieval of your anchor irrespective of anchoring or weather conditions. An undersized windlass may well compromise the safety of your vessel and crew. Choosing the right one should prevent costly repairs and damage.

When selecting a windlass there are a number of factors that need to be considered: vessel type, length and displacement, anchor and chain size, windage and the anchoring environment. The selection chart on page 6 will assist in determining the ideal windlass options for your vessel. Once the suitable windlasses are identified refer to those particular product specification pages in the catalogue for details or visit the Muir website at www.muir.com.au. The staff at Muir can also assist in windlass selection, please find contact details at the back.

A windlass is often exposed to harsh elements therefore it is important to consider the materials and components it is manufactured from. Muir windlasses incorporate high quality components including chromed bronze and high quality marine grade 316 Stainless Steel running gear, stainless steel drive shafts and marine coated alloy housings, to ensure strength, durability and long term usage.

A powered windlass with some form of manual operation or override is always a wise choice and ensures peace of mind that the anchor can be retrieved if power failed or in an emergency. The type and style of windlass you select will depend on the depth of the chain locker, the fore deck layout, power options and personal preference.

Manual or Power Operation?

There are three main ways a windlass can be powered.

1. Manual windlasses: you do the work of a motor, while internal gearing or a ratchet drive makes it easier. These windlasses are above deck units and very simple to install.

2. Electric power windlasses: windlass motors do all the lifting controlled by remote or deck switches and require little user interaction. Electric motors requires electrical power sources in 12/24/48V or 3 Phase AC.

3. Hydraulic power windlasses: another powered method for weighing anchor requires hydraulic pump/powerpack.

Depth of the Chain Locker?

Measuring the vertical distance from the underside of the deck to the top of the full length of stored and heaped anchor rode in the locker will assist in determining the installation to suit your vessel. Refer to the fall depth diagrams to the right, and the options detailed below.

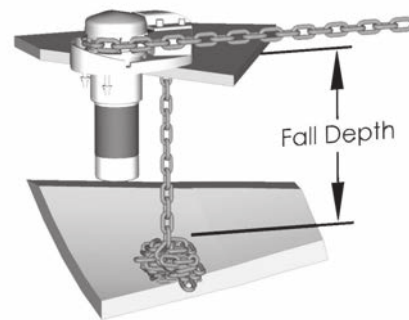
Horizontal or Vertical Configuration?

Windlasses are one of two types - vertical or horizontal. This is based on the orientation of the drive shaft - vertical or horizontal in direction.

Vertical Windlass: The running gear, gypsy and capstan are positioned above the deck with the motor and gear drive below. Vertical windlasses operate at optimum with greater anchor rode fall than the horizontal windlass and a minimum fall of 30cm from top of stacked anchor rode is recommended. This is particularly important if using nylon line which does not fold and stack as well as chain does. Vertical windlasses minimise deck intrusion and the modern sleek lines enhance the look of any vessel. A vertical windlass provides a 180-degree wrap of the anchor rode around the gypsy for maximum feed into the locker and prevention of chain slippage and jumping.

Horizontal Windlass: Fully enclosed, above deck windlasses, this style is usually preferred where locker space is limited or additional fall is required. The motor and gear drive is fully enclosed in the housing with nothing protruding below deck. The horizontal windlass operates with optimum anchor rode fall of at least 30cm from the top of the stacked anchor rode, and due to the horizontal orientation of the gypsy higher above the deck there is additional fall provided. These units are ideally suited for vessels with shallow locker space. Often selected for commercial and charter vessel applications or vessels seeking a more traditional look.

Vertical Windlass



Manual Operation

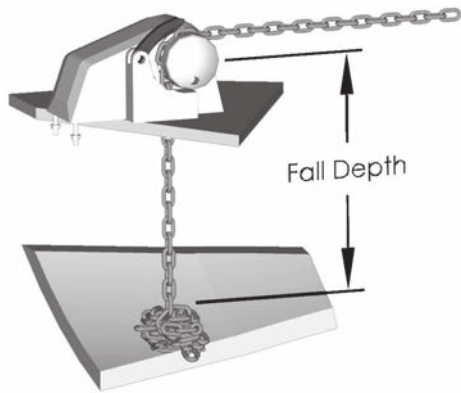
Consideration should be given to selecting an automatic windlass with the option of Manual Operation. Manual operation is available on various Storm and Compact Models, refer to the model pages for further details.

Manual Override System (MORS): An optional upgrade available for our larger windlasses, MORS enables manual retrieval of the anchor rode. On vertical models, this is achieved using a standard sheet winch handle applied to the clutch cap, while horizontal models

Manual Operating System (MOS): allows for manual operation featuring a special gypsy attachment that fits to the top of the gypsy after the capstan or clutch top has been removed. utilize an extension handle. The integrated ratcheting mechanism ensures safe and efficient manual operation.



Horizontal Windlass



Determining the Capacity of the Windlass to suit my requirements

Once you have identified the windlasses that will suit your vessel based on the length and displacement from the table on page 6, you need to determine the lift capacity required for your application and then refer to the detailed information on the appropriate model.

Work Load (continuous working of the winch)

If a winch works for long periods of time (in contrast to short intervals) then it would typically run at 33% of the maximum workload of the winch.

However, for shorter intervals (typical when weighing anchor) the rating is up to 33%-50% of the maximum load of the windlass, and usually involves multiple stages of operation as the vessel is positioned over the anchor and rode, and then when the anchor breaks free from the seabed and is stowed.

At each stage the workload varies. During the breakout of the anchor from the seabed it will be at its maximum load peak. The windlass should not be used to haul the vessel to the anchor, but the vessel should be powered toward the anchor to minimise the load on the windlass.

$$\begin{array}{l}
 \text{Total weight of} \\
 \text{ground tackle (kg)} \\
 \text{(anchor + rope} \\
 \text{/ chain)} \\
 \text{[]} \times 3
 \end{array}
 =
 \begin{array}{l}
 \text{Maximum} \\
 \text{pulling} \\
 \text{power load} \\
 \text{(kg)} \\
 \text{required by} \\
 \text{the windlass}
 \end{array}$$

Manual Operating System (MOS)



Manual Override System (MORS)



Circuit Breaker

To protect the motor and wiring of the electric windlass and to qualify for warranty, a circuit breaker must be installed. An appropriate circuit breaker for the AMPs load should be used, to ensure that when the windlass is at its peak the circuit breaker does not trip and to protect the winch in the event of winch overload. Your Muir office or local representative will supply the recommended circuit breaker to suit the windlass requirements for maximum safety.

Security

To minimise unnecessary load on the windlass and drive gear whilst at anchor, the anchor rode should be secured with a chain stopper or snubber line.



Windlass Selection Guide

VESSEL LENGTH

Metres

Feet (ft)

	4	6	8	10	12	14	16	18	20	25	30	COMPATIBLE CHAIN SIZES	
	13	20	26	33	39	46	52	59	66	82	100	mm	inch

MODELS

Storm Vertical Powered

Model	Page	4	6	8	10	12	14	16	18	20	25	30	COMPATIBLE CHAIN SIZES						
VR/VRC 600	Page 10												6	7	1/4				
VR/VRC 850	Page 11												6	8	10	1/4	5/16	3/8	
VR/VRC 1250	Page 12												8	10	13	5/16	3/8	1/2	
VR/VRC 2200	Page 13																		
VR/VRC 2500	Page 14																		
VR/VRC 3500	Page 15																		
VR/VRC 4000	Page 16																		

Storm Automatic Freefalls

VFF 600	Page 10												6	7	1/4
---------	---------	--	--	--	--	--	--	--	--	--	--	--	---	---	-----

Manual Vertical

VM/VMC 500	Page 18												6	8	10	1/4	5/16	3/8
------------	---------	--	--	--	--	--	--	--	--	--	--	--	---	---	----	-----	------	-----

Compact Horizontal Powered

HR 650 Lynx	Page 19												6		1/4					
HR 950 Lynx	Page 19												8		5/16					
HR 1200 Cougar	Page 20												6	8	10	1/4	5/16	3/8		
HR 1600 Cougar ^{Stainless Steel}	Page 20												8	10	13	16	5/16	3/8	1/2	5/8
HR 1600 Cougar ^{Composite}	Page 21												8	13	16	3/8	1/2	5/8		
HR 2500 Cheetah	Page 21												8	13	16	3/8	1/2	5/8		
HR 3500 Jaguar	Page 22												8	13	16	3/8	1/2	5/8		
HR 4000 Thor	Page 23												8	13	16	3/8	1/2	5/8		
HR 4200 Thor	Page 23												8	13	16	3/8	1/2	5/8		

Vertical Powered Capstans

VC 500	Page 26												N/A	N/A
VC 650	Page 26												N/A	N/A
VC 850	Page 26												N/A	N/A
VC 2500	Page 26												N/A	N/A
VC 3500	Page 26												N/A	N/A

Easyweigh Range

H 900 Windlass	Page 24												6	8	1/4	5/16
V 900 Windlass	Page 24												N/A	N/A	N/A	N/A
VC 800 Capstan	Page 27												N/A	N/A	N/A	N/A
Muir Pot Hauler	Page 28												N/A	N/A	N/A	N/A

Drum Winches

DW 06	Page 30												6		1/4	
DW/DFF 08	Page 30												6	8	1/4	5/16
DW/DFF 10	Page 30												8	10	5/16	3/8
DW/DFF 12	Page 30												10	12	3/8	1/2
DW/DFF 15	Page 30															

Heavy Displacement Refers to a vessel relatively heavy in weight compared to its overall length
Light Displacement Refers to a vessel relatively light in weight compared to its overall length

REFERENCE

- VR – Vertical Reversing with a Gypsy
- VRC – Vertical Reversing with a Gypsy and Capstan
- VFF – Vertical Freefall
- HFF – Horizontal Freefall
- VC – Vertical Capstan
- HR – Horizontal Reversing
- VM – Vertical Manual with Gypsy
- VMC – Vertical Manual with Gypsy and Capstan

The specification in this section applies to vessels operating in safe weather conditions.

This information is to be used as a guide only and it is recommended that you contact your local Muir representative for further information on the appropriate system to meet your requirements.

Muir recommend where vessels are being used for charter or commercial purposes or for extended offshore cruising in rugged conditions or where average displacement puts them at the upper limit of the windlass size a larger model should be selected.

Displacement, windage and anchoring conditions are factors to consider when selecting a Muir system and it is advisable to select a larger windlass and ground tackle if anchoring in exposed conditions.

All systems assume the use of a chain stopper or chain snubber line to prevent load being placed on the windlass when breaking loose the anchor or during high wind and high tide.



Glossary of Terms

- AMPS Workload** – current draw for the motor at full working load.
- Anchor Rode** – the line that secures the anchor to the vessel, consisting of either rope, chain or a combination of rope and chain.
- Automatic Free Fall** – Windlass releases automatic clutch by a means of a remote switch for rapid deployment. No user interaction.
- Bridle** – chain stopper/compressor, devils claw. Located between the winch and bow roller. Secures chain and takes load off the winch/windlass.
- Devils claw** – Holds the anchor in a lowered position.
- Capstan** – Drum, rope drum. The capstan is used for hauling rope.
- Displacement** – The amount of water displaced by a floating vessel, usually measured in tonnes.
- Fixed drive** – Direct couple from transmission to gypsy/capstan.
- Free Fall** – Release of clutch manually releases the chain to freefall.
- Gypsy – Chain gypsy, wildcat, chain wheel** – A special wheel with pockets to suit chain and or rope for hauling up the anchor and anchor rode.
- Hauling** – weighing, lifting. The operation of lifting anchor, rope or chain.
- Hawser** – chain pipe that anchor rode feeds through into down to the anchor.
- Horizontal windlass/winch** – Drive shaft, capstan and gypsy are located horizontally to the deck.
- Inline drive** – Integrated gearbox and motor inline with the winch shaft.
- Manual Operation System (MOS)** – Handle fits directly into gypsy by removing the capstan or clutch top.
- Manual Override System (MORS)**– Handle fits into windlass top and over-rides the transmission and ratchet drive system. Power back up can be used.
- Maximum Load** – The maximum operating load that could be applied to the windlass, but the load the winch would normally be subjected to is substantially less.
- Max Line Speed** – Maximum speed the anchor rode could be retrieved at. Depending on power supply, hydraulic, AC/DC, and generally at low load.
- Ratchet drive** – Indirect couple from the transmission to gypsy/capstan via a ratchet cone. During manual unpowered retrieval operation, the ratchet will prevent freefall.
- RCMS** – Rope Chain Management System. It enables the windlass to pull the combination of rope and chain.
- Vertical windlass/winch** – Drive shaft, capstan and gypsy are located vertically to the deck.
- Workload** – Typical lift. Usually up to 25% of the Maximum load.

Abbreviations

DC	Direct Current	MPa	Megapascal	m	Metre
AC	Alternating Current	PSI	Pounds per square inch	mm	Millimetre
HYD	Hydraulic	lb	Pound	"	Inch
gal	Gallons (US)	kg	Kilogram	' / ft	Feet
l	Litres	Min	Minute		



3 YEAR WARRANTY (First Owner)

We warrant each new product manufactured by us to be free from defects in material and workmanship for a period of 3 years from date of purchase (subject to conditions and exclusions.)

Please visit our website for more information and to register your product.



SCAN FOR MUIR WARRANTY



Vertical Windlasses

Storm Range

The award winning Muir Storm series with luxury polished stainless steel finish revolutionises rope chain windlass technology. They are the preferred choice for high performance and smooth operation of rope-chain or chain only anchor rodes. The Storm series of vertical windlasses provides the strength of conventional vertical windlasses but with advanced and innovative concepts. Recognised for their sleek curved lines, Storms are available in low profile (VR) or capstan (VRC) configurations, with models to suit all recreational and commercial vessels up to 25m (83ft). Storm windlasses provide the highest level of security and safety, whilst enhancing the foredeck of the most luxurious vessel.

FAST RETRIEVAL

Using the latest in efficient windlass drives, the Storm series provides effective and rapid anchor retrieval with high speeds of up to 25 metres per minute on some models, whilst also allowing smooth deployment of the anchor rode and chain.

ROPE-CHAIN COMBINATION RODES

The Rope Chain Management System (RCMS) on Storm windlasses consists of a spring loaded finger & 180 degree stripper arrangement that provides smooth transition for rope-chain combination, and carefully guides the anchor rode into the chain locker. This is aided by a unique combination rope and chain gypsy with special inner rope jaws and outer chain pockets that automatically accommodates both the rope and chain rode. A 180 degree stripper/peeler assembly fits to the gypsy hub preventing the rode from jamming and allowing a smooth vertical drop into the chain locker. RCMS is standard on all models up to VR/C4000 range.

MANUAL OPERATION

The Storm series offers two manual operation alternatives. The Manual Override System (MORS) is a premium option on most other models, and provides manual retrieval of the rope and chain or chain only rode by simply applying a standard sheet winch handle to the top of the windlass. The Manual Operating System (MOS) features a gypsy attachment that fits into the top of the gypsy once the capstan or clutch top has been removed. MOS is standard on most Storm models.

REDUCED INSTALLATION TIME

Storm windlass bases accommodate a quick fit adaptor that reduces installation time allowing the gearbox and motor to be installed directly onto the shaft in any radial position and alleviating distortion between the deck plate and gearbox flange. A sealed shaft protects the transmission below deck from water ingress.

STYLE

Storm windlasses are modern, stylish and their unobtrusive design ensures space is maximized and the foredeck enhanced without comprising performance and durability.

FREEFALL MECHANISM

Automatic Freefall Storm models provide rapid freefall and total control when anchoring, and all with the flick of a switch. There is a Storm model to suit every application, available with DC power options and for vessels up to 9m (29ft). Unique swivel integrated chain pipes ensure access to your anchor rode, and with a complete range of accessories to suit, anchoring just doesn't get any easier!

Storm Stainless Steel Range

The Storm stainless steel range from Muir epitomises the latest in anchor windlass technology. Designed for vessels 5–25m (16–83ft), and in low profile and capstan configurations, the Storm stainless steel windlasses offer fast powered retrieval, smooth rope chain combination operation, reduced installation time, style and unbeatable reliability. Manufactured from polished stainless steel components the Storm windlass will weather the harshest of conditions.

Storm windlasses represent the pinnacle of reliability and performance and are packed with the features and quality you have come to expect from Muir. Designed on the principals of the award winning Atlantic series, with all its features and more...

The Storm stainless steel range is backed by a 3 year warranty and supported by an extensive worldwide sales and service network.

Bronze Range

Custom bronze finish is also available on the majority of our windlasses at special request.

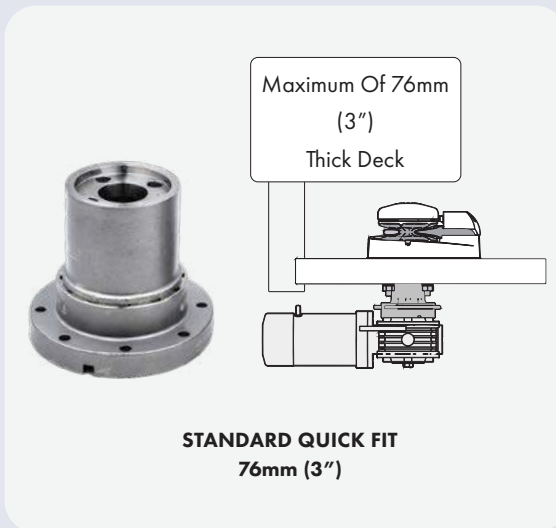
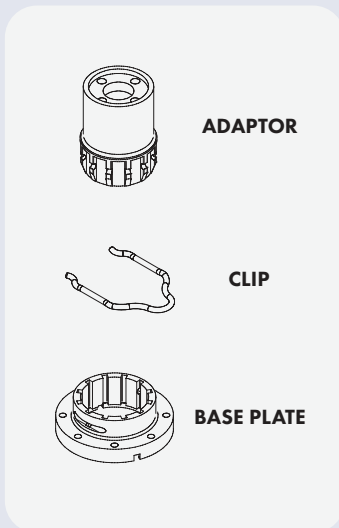


Quick Fit Adaptor



Designed for

- Easy installation
- Fix the windlass to the deck and simply slip the motor and gearbox into position
- Strong stainless steel construction
- Easy to remove the motor and gearbox for maintenance, simply remove 1 bolt and the quick fit retaining clip and the motor and gearbox assembly slides off
- Standard supply on 850 / 1250 / 2200 Storm models
- Positions available for 360° rotation of motor / gearbox.



Quick Fit Assembly/Disassembly

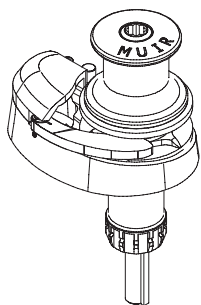


Fig. 1
Top unit assembly as received by customer.

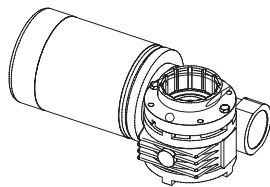


Fig. 2
Bottom unit assembly as received by customer.

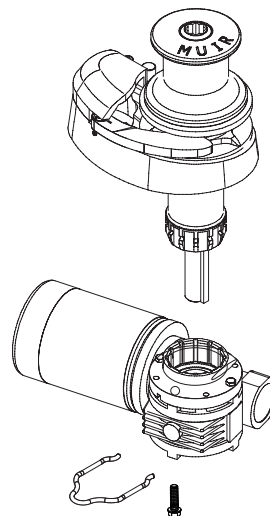


Fig. 3
Align motor and gear box for your required position then slide up shaft until spring retains gear box mount.

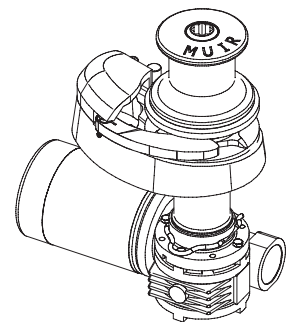


Fig. 4
Bolt retaining washer to end of drive shaft to complete the finished unit.

Storm VR/VFF600



VFF600

VR600

Features

- Polished stainless steel components
- High tensile stainless steel shaft
- Heavy duty, marine grade, dual-direction motor
- Superior, heavy-duty Oil bath worm drive gearbox
- Rope Chain Management System (RCMS) fitted
- Integrated quick release with chain pipe cover
- Self-lubricating bush
- Capstan models feature a knurled grip
- Independent gypsy and capstan operation
- Suits multiple global chain standards

Standard Package* Included free of charge with new windlass purchase



Options

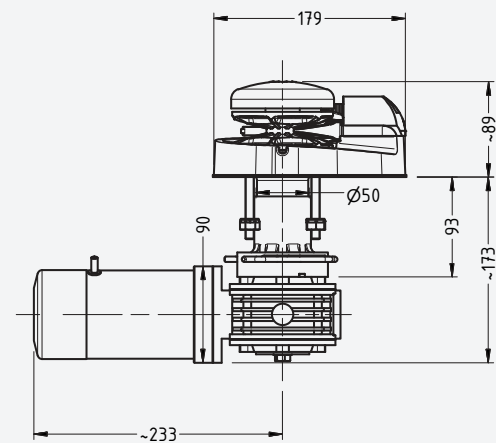
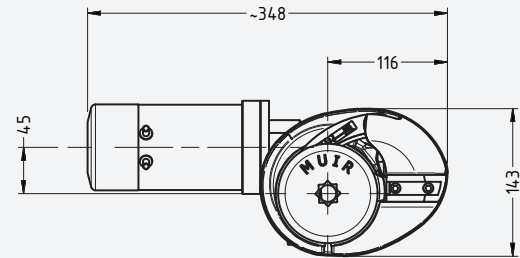
- Extra deck clearance kit for decks up to 150mm/6"
- Full range of accessories including chain, rope, chain stoppers, snubber kits and devil claws
- Electrical operating options and accessories
- Auto anchor - chain counter

*Inclusions can vary by country and region



Model	VFF600	VR600
VESSEL LENGTH	5-9m 16-31ft	5-9m 16-31ft
POWER SUPPLY (DC)	12/24V/48V	12/24V/48V
CIRCUIT BREAKER	12V - 80A 24V - 80A	80A
MOTOR (WATTS)	550	550
AMPS WORK LOAD (DC)	75	75/40
MAX LOAD	369kg 813lb	369kg 813lb
WORK LOAD	123kg 271lb	124kg 271lb
MAX LINE SPEED	21m/min 68ft/min	25m/min 82ft/min
ROPE-CHAIN ONLY	6 mm (1/4") 7 mm (7/25")	6 mm (1/4") 7 mm (7/25")
ROPE SIZE	12mm (1/2")	12mm (1/2") 6 mm (1/4")
AUTO ANCHOR COMPATIBLE	✓	✓
NET WEIGHT (KG)	DC 12kg DC 26lb	DC VR 12kg DC VR 26lb
MANUAL OPERATION	N/A	N/A

VR/VFF600



Storm VR/VRC850



Features

- Polished stainless steel components
- High tensile stainless steel shaft
- Heavy duty, marine grade, dual-direction motor
- Superior, heavy-duty Oil bath worm drive gearbox
- Rope Chain Management System (RCMS) fitted
- Integrated quick release with chain pipe cover
- Self-lubricating bush
- Capstan models feature a knurled grip
- Independent gypsy and capstan operation
- Suits multiple global chain standards
- Deck isolation pad

Standard Package* Included free of charge with new windlass purchase



Options

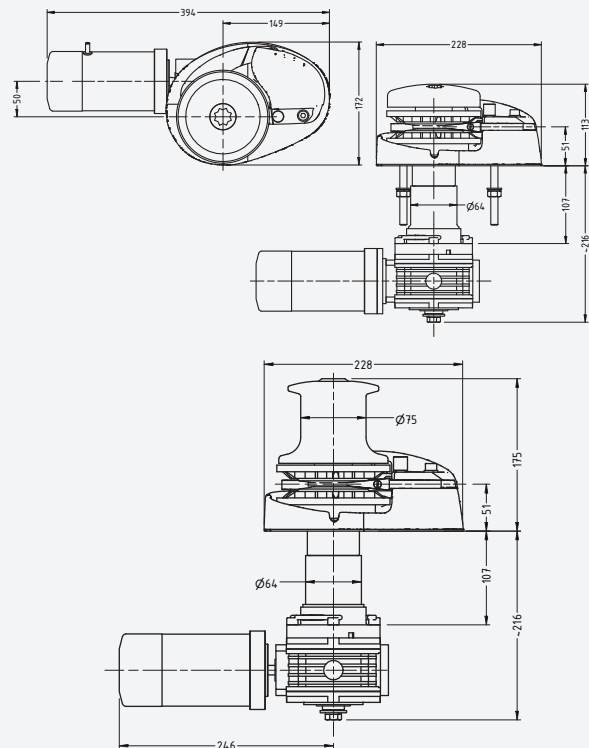
- Extra deck clearance kit for decks up to 150mm/6"
- Full range of accessories including chain, rope, chain stoppers, snubber kits and devil claws
- Electrical operating options and accessories
- Auto anchor - chain counter
- Anchor and Chain



*Inclusions can vary by country and region

Model	VR/VRC850
VESSEL LENGTH	8–11 m 26–37ft
POWER SUPPLY (DC)	12/24V
CIRCUIT BREAKER	12V - 80A 24V - 80A
MOTOR (WATTS)	800
AMPS WORK LOAD (DC)	75/40
MAX LOAD	450kg 992lb
WORK LOAD	150kg 330lb
MAX LINE SPEED	26m/min 85ft/min
CHAIN SIZE	6 mm (1/4") 8 mm (5/16") 10 mm (3/8")
ROPE/CHAIN	12mm (1/2") / 6mm (1/4") 14mm (9/16") / 8mm (5/16") 16mm (5/8") / 10mm (3/8")
AUTO ANCHOR COMPATIBLE	✓
NET WEIGHT (KG)	DC/HYD VR 15kg VRC 16.5kg DC/HYD VR 33lb VRC 37lb
MANUAL OPERATION	MOS (std on most gypsy sizes)
MAX DECK THICKNESS	Standard 75mm (3") 6" extension 155mm (6.1")

VR850



Storm VR/VRC1250



VRC1250

VR1250

Features

- Polished stainless steel components
- High tensile stainless steel shaft
- Heavy duty, marine grade, dual-direction motor
- Superior, heavy-duty Oil bath worm drive gearbox
- Rope Chain Management System (RCMS) fitted
- Integrated quick release with chain pipe cover
- Self-lubricating bush
- Capstan models feature a knurled grip
- Independent gypsy and capstan operation
- Suits multiple global chain standards
- Deck isolation pad

Standard Package* Included free of charge with new windlass purchase



Options

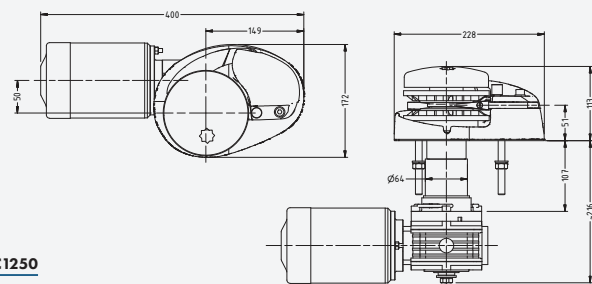
- Extra deck clearance kit for decks up to 150mm/6"
- Full range of accessories including chain, rope, chain stoppers, snubber kits and devil claws
- Electrical operating options and accessories
- Auto anchor - chain counter
- Anchor and Chain



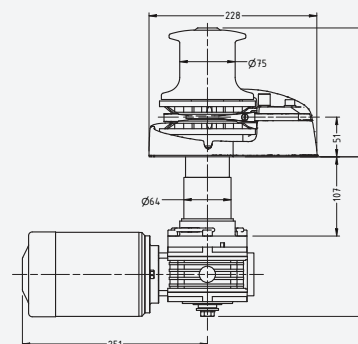
*Inclusions can vary by country and region

Model	VR/VRC1250
VESSEL LENGTH	10-13m 32-44ft
POWER SUPPLY (DC)	12/24/48V
CIRCUIT BREAKER	12V - 100A 24V - 80A
MOTOR (WATTS)	1200
AMPS WORK LOAD (DC)	125/60
HYDRAULIC PRESSURE	8MPa 1160PSI
HYDRAULIC FLOW	15L/min 4gal/min
MAX LOAD	621kg 1369lb
WORK LOAD	207kg 456lb
MAX LINE SPEED	30m/min 98ft/min
CHAIN SIZE	6 mm (1/4") 8 mm (5/16") 10 mm (3/8")
ROPE/CHAIN	12mm (1/2") / 6 mm (1/4") 14mm (9/16") / 8 mm (5/16") 16mm (5/8") / 10mm (3/8")
AUTO ANCHOR COMPATIBLE	✓
NET WEIGHT (KG)	DC VR 20kg VRC 22kg DC VR 44lb VRC 48lb HYD VR 15.5kg VRC 17kg HYD VR 34lb VRC 38lb
MANUAL OPERATION	MOS (std on most gypsy sizes)
MAX DECK THICKNESS	Standard 75mm (3") 6" extension 155mm (6.1")

VR1250



VRC1250



Storm VR/VRC2200



VR2200

VRC2200

Features

- Polished stainless steel components
- High tensile stainless steel shaft
- Heavy duty, marine grade, dual-direction motor
- Superior, heavy-duty Oil bath worm drive gearbox
- Rope Chain Management System (RCMS) fitted
- Integrated quick release with chain pipe cover
- Self-lubricating bush
- Capstan models feature a knurled grip
- Independent gypsy and capstan operation
- Suits multiple global chain standards
- Deck isolation pad

Standard Package* Included free of charge with new windlass purchase



Options

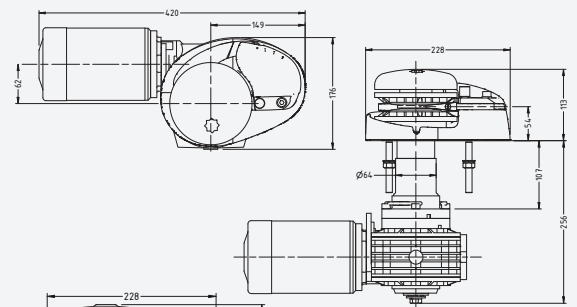
- Extra deck clearance kit for decks up to 150mm/6"
- Full range of accessories including chain, rope, chain stoppers, snubber kits and devil claws
- Electrical operating options and accessories
- Auto anchor - chain counter
- Anchor and Chain



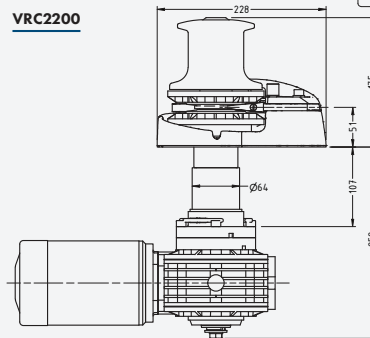
*Inclusions can vary by country and region | ** 8mm & 10mm only

Model	VR/VRC2200
VESSEL LENGTH	12-15m 38-50ft
POWER SUPPLY (DC)	12/24V/48V
CIRCUIT BREAKER	12V - 150A 24V - 100A
MOTOR (WATTS)	1500
AMPS WORK LOAD (DC)	150/70
HYDRAULIC PRESSURE	10MPa 1450PSI
HYDRAULIC FLOW	15L/min 4gal/min
MAX LOAD	1101kg 2427lb
WORK LOAD	367kg 809lb
MAX LINE SPEED	30m/min 98ft/min
CHAIN SIZE	6 mm (1/4") 8 mm (5/16") 10 mm (3/8")
ROPE/CHAIN	12mm (1/2") / 6 mm (1/4") 14mm (9/16") / 8 mm (5/16") 16mm (5/8") / 10mm (3/8")
AUTO ANCHOR COMPATIBLE	✓
NET WEIGHT (KG)	DC VR 23.5kg VRC 25kg DC VR 52lb VRC 55lb HYD VR 22.5kg VRC 24kg HYD VR 50lb VRC 53lb
MANUAL OPERATION	MOS (std on most gypsy sizes)
MAX DECK THICKNESS	Standard 75mm (3") 6" extension 155mm (6.1")

VR2200



VRC2200



Storm VR/VRC2500



VRC2500*

VR2500*

*Round base versions available

Features

- Polished stainless steel components
- High tensile stainless steel shaft
- Heavy duty, marine grade, dual-direction motor
- Superior, heavy-duty Oil bath worm drive gearbox
- Rope Chain Management System (RCMS) fitted
- Integrated quick release with chain pipe cover
- Self-lubricating bush
- Capstan models feature a knurled grip
- Independent gypsy and capstan operation
- Suits multiple global chain standards
- Deck isolation pad

Standard Package* Included free of charge with new windlass purchase



Options

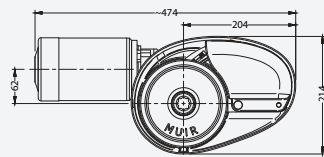
- Extra deck clearance kit for any deck thickness
- Round base VR/VRC model (chain only)
- Mirror image models available
- Manual Override System (MORS)
- Traditional polished bronze finish
- Full range of accessories including chain, rope, chain stoppers, snubber kits and devil claws
- Electrical operating options and accessories
- Auto anchor - chain counter
- Anchor and Chain



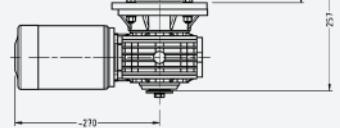
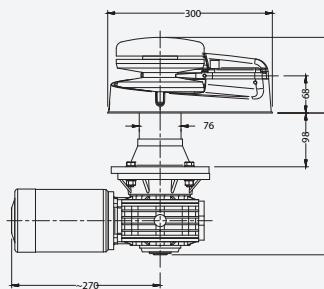
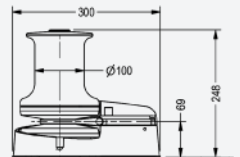
*Inclusions can vary by country and region | ** 8mm & 10mm only

Model	VR/VRC2500
VESSEL LENGTH	14–20m 45–66ft
POWER SUPPLY (DC)	12/24V/48V (AC or Hydraulic available)
CIRCUIT BREAKER	12V- 150A 24V - 100A
MOTOR (WATTS)	1500
AMPS WORK LOAD (DC)	150/70
HYDRAULIC PRESSURE	10MPa 1450PSI
HYDRAULIC FLOW	20L/min 5.5gal/min
MAX LOAD	1200kg 2645lb
WORK LOAD	400kg 881lb
MAX LINE SPEED	28m/min 91ft/min
CHAIN SIZE	8 mm (5/16") 10 mm (3/8") 13 mm (1/2") (chain only)
ROPE/CHAIN	14mm (9/16") / 8 mm (5/16") 16mm (5/8") / 10mm (3/8") 20mm (3/4") / 13 mm (1/2")
AUTO ANCHOR COMPATIBLE	✓
NET WEIGHT (KG)	DC VR 40kg VRC 44kg DC VR 88lb VRC 96lb HYD VR 38kg VRC 42kg HYD VR 84lb VRC 92lb
MANUAL OPERATION	Optional Upgrade (MORS)
MAX DECK THICKNESS	Standard 50mm (2") 6" extension 116mm (4.6") 7" extension 133mm (5.3") 8" extension 159mm (6.2")

VR2500



VRC2500



Storm VR/VRC3500



VR3500*

VR3500*

*Round base versions available

Features

- Polished stainless steel components
- High tensile stainless steel shaft
- Heavy duty, marine grade, dual-direction motor
- Superior, heavy-duty Oil bath worm drive gearbox
- Rope Chain Management System (RCMS) fitted
- Integrated quick release with chain pipe cover
- Self-lubricating bush
- Capstan models feature a knurled grip
- Independent gypsy and capstan operation
- Suits multiple global chain standards
- Deck isolation pad

Standard Package* Included free of charge with new windlass purchase



Options

- Extra deck clearance kit for any deck thickness
- Round base VR/VRC model (chain only)
- Mirror image models available
- Manual Override System (MORS)
- Traditional polished bronze finish
- Full range of accessories including chain, rope, chain stoppers, snubber kits and devil claws
- Electrical operating options and accessories
- Auto anchor - chain counter
- Anchor and Chain

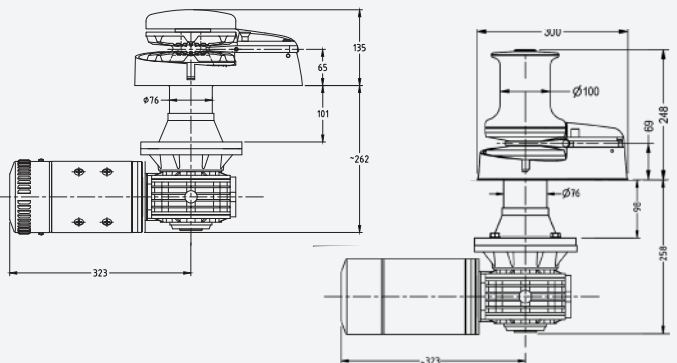
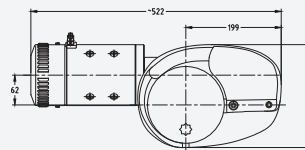


*Inclusions can vary by country and region | ** 8mm & 10mm only

Model	VR/VRC3500	
VESSEL LENGTH	15-24m 48-79ft	
POWER SUPPLY (DC)	12/24V/48V (AC or Hydraulic available)	
CIRCUIT BREAKER	12V - 150A 24V - 100A	
MOTOR (WATTS)	1700	
AMPS WORK LOAD (DC)	185/90	
HYDRAULIC PRESSURE	10MPa 1450PSI	
HYDRAULIC FLOW	28L/min 7.5gal/min	
MAX LOAD	1650kg 3637lb	
WORK LOAD	550kg 1212lb	
MAX LINE SPEED	28m/min 91ft/min	
CHAIN SIZE	8 mm (5/16") 10 mm (3/8") 13 mm (1/2") (chain only)	
ROPE/CHAIN	14mm (9/16") / 8 mm (5/16") 16mm (5/8") / 10mm (3/8") 20mm (3/4") / 13 mm (1/2")	
AUTO ANCHOR COMPATIBLE	✓	
NET WEIGHT (KG)	DC VR 42kg VRC 46kg DC VR 92lb VRC 101lb HYD VR 38kg VRC 42kg HYD VR 84lb VRC 92lb	
MANUAL OPERATION	Optional Upgrade (MORS)	
MAX DECK THICKNESS	Standard	50mm (2")
	6" extension	116mm (4.6")
	7" extension	133mm (5.3")
	8" extension	159mm (6.2")

VR3500

VRC3500



Storm VR/VRC4000



VR4000*

VR4000*

*Round base versions available

Features

- Polished stainless steel components
- High tensile stainless steel shaft
- Heavy duty, marine grade, dual-direction motor
- Superior, heavy-duty Oil bath worm drive gearbox
- Rope Chain Management System (RCMS) fitted
- Integrated quick release with chain pipe cover
- Self-lubricating bush
- Capstan models feature a knurled grip
- Independent gypsy and capstan operation
- Suits multiple global chain standards
- Deck isolation pad

Standard Package* Included free of charge with new windlass purchase



Options

- Extra deck clearance kit for any deck thickness
- Round base VR/VRC model (chain only)
- Mirror image models available
- Manual Override System (MORS)
- Traditional polished bronze finish
- Full range of accessories including chain, rope, chain stoppers, snubber kits and devil claws
- Electrical operating options and accessories
- Auto anchor - chain counter
- Anchor and Chain

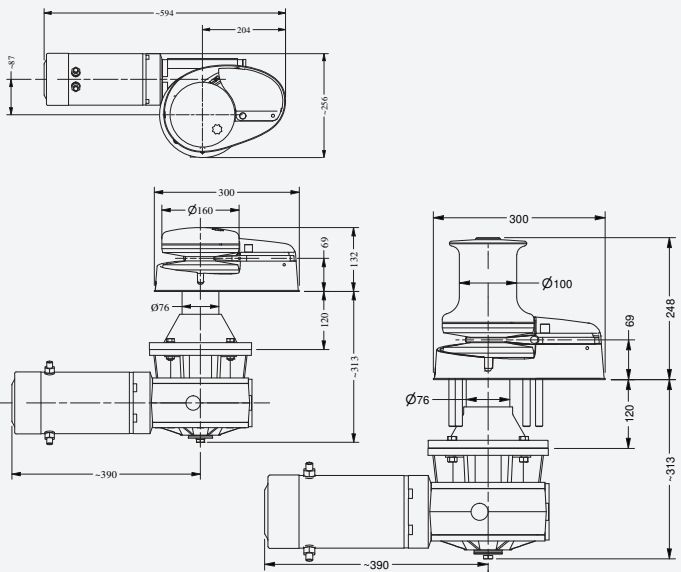


*Inclusions can vary by country and region | ** 8mm & 10mm only

Model	VR/VRC4000
VESSEL LENGTH	18–25m 58–84ft
POWER SUPPLY (DC)	24/48V (AC or Hydraulic available)
CIRCUIT BREAKER	24V - 150A 48V - 100A
MOTOR (WATTS)	2200
AMPS WORK LOAD (DC)	110 (24V)
HYDRAULIC PRESSURE (bar/PSI)	200 2900PSI
HYDRAULIC FLOW	22L/min 5.8gal/min
MAX LOAD	2100kg 4629lb
WORK LOAD	700kg 1543lb
MAX LINE SPEED	17m/min 55ft/min
CHAIN SIZE	8 mm (5/16") 10 mm (3/8") 13 mm (1/2") (chain only)
ROPE/CHAIN	14mm (9/16") / 8 mm (5/16") 16mm (5/8") / 10mm (3/8") 20mm (3/4") / 13 mm (1/2")
AUTO ANCHOR COMPATIBLE	✓
NET WEIGHT (KG)	DC VR 54kg VRC 58kg DC VR 119lb VRC 119lb HYD VR 50kg VRC 55kg HYD VR 110lb VRC 121lb
MANUAL OPERATION	Optional Upgrade (MORS)
MAX DECK THICKNESS	Standard 50mm (2") 6" extension 116mm (4.6") 7" extension 133mm (5.3") 8" extension 159mm (6.2")

VR4000

VRC4000



Manual Vertical VM/VMC 500



Not everyone needs or wants power, so the Manual Vertical series is designed with those in mind. Suited for vessels up to 12m, the above deck installation is fast and straightforward. The manual series is available in a round base configuration (VM500). Featuring an independent low-profile top or capstan and gypsy. The units can also be mounted horizontally in the anchor locker or used as an auxiliary units for line hauling or fishing use.

The low profile, lightweight, compact design makes this unit ideal for the racing enthusiast who cannot afford the weight or space of a powered windlass or for those doing serious ocean cruising or racing who can't afford to rely on battery power.

Precision-engineered, allowing for efficient hauling. The ratchet manual operation system is operated with a standard sheet winch handle and manually released with the same handle.

Features

- Stainless Steel / Chrome Bronze components
- Chain only
- Capstan models feature a knurled grip
- Independent gypsy and capstan operation

Standard Package * Included free of charge with new capstan purchase



Options

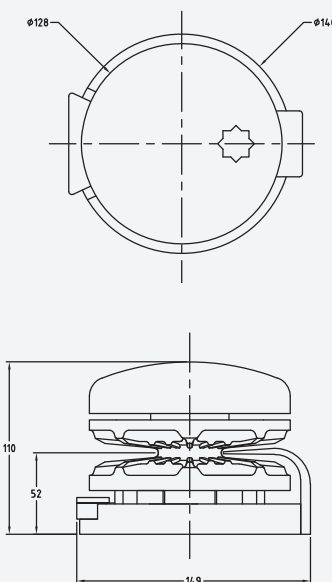
- Full range of accessories including chain, rope, chain stoppers, snubber kits and devil claws
- Round base model (VM)

*Inclusions can vary by country and region

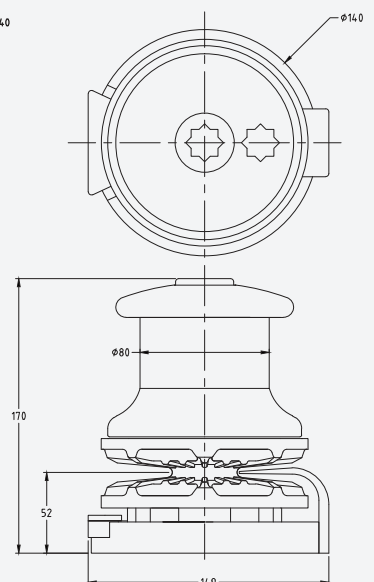


Model	VM/VMC 500
VESSEL LENGTH	6–12m 19–40ft
POWER SUPPLY (DC)	Manual
MOTOR (WATTS)	N/A
AMPS WORK LOAD (DC)	N/A
MAX LOAD	227kg 500lb
WORK LOAD	N/A
RECOVERY RATE	36cm/revolution 14.5"/revolution
Chain Size	6 mm (1/4") 8 mm (5/16") 10 mm (3/8")
ROPE SIZE	12mm (1/2") 14mm (9/16") 16mm (5/8")
NET WEIGHT (KG)	VM 5.5kg (12,7lb) VMC 6.5kg (14lb)

VM500



VMC500





Compact Horizontal Windlasses

The powerful Compact range of horizontal windlasses provides the perfect alternative to vertical models for all recreational, commercial and fishing vessels up to 25 metres.

Compact series of horizontal windlasses are ideal for installations where chain locker space is at a premium or not easily accessible. These complete above-deck units are available in several housing types from composite, 316 stainless, and durable marine alloy (HR3500/4000 series). These housing types enclose the powerful and heavy-duty motor and gearbox, waterproofing and protecting them from the harsh elements. All running gear is designed for durability and performance, manufactured from marine-grade stainless steel with luxury chrome or an optional traditional polished bronze finish.

The Compact series incorporates many of the innovative features available across the Storm range.

ROPE CHAIN MANAGEMENT SYSTEM (RCMS) STANDARD

Some compact models can be used with rope-chain anchor rodes, and selected models are chain only.

The Rope Chain Management System (RCMS) facilitates smooth rope-chain operation and is available by replacing a standard chain pipe with the RCMS unit. RCMS incorporates a spring loaded finger arrangement fitted to a separate chain pipe that directs and pushes the rope into the inner jaw of the gypsy whilst allowing the chain to follow and pass through automatically. A stripper/peeler assembly fits around the gypsy hub to prevent the rope from jamming and facilitates a smooth vertical drop into the chain locker. RCMS is standard on the HR/C 650.

INDEPENDENT ROPE CAPSTAN OPERATION

Most Compact models feature a knurled capstan that can be operated independently of the gypsy/chainwheel for line handling or auxiliary purposes.

MANUAL OPERATION

Manual operation is standard on all models from HR1200 to 4200 ensuring complete back up should battery power fail or emergency situation prevail.

EASE OF INSTALLATION

Installation of the Compact range is quick & simple with no separate drive assembly to be mounted below deck.

PERFORMANCE

Operational performance of the Compact models is further enhanced by the high vertical drop to the chain locker and the 90 degree wrap of chain and rope on the gypsy that provides quick and trouble free deployment and retrieval.

AND MORE...

Some of the Compact range are available in 12,24 & 48 volt and hydraulic options. Muir offer a full range of accessories to suit the Compact models including electric controls, chain, rope and chain stoppers.



Compact HR/HC650/950

NEW



Class Leading Bronze Worm Wheel In Oil Bath Gearbox.



Features

- Brushed finished 316 stainless steel housing
- Polished stainless steel components
- High tensile stainless steel shaft
- Heavy duty, marine grade, dual-direction motor
- Superior, heavy-duty Oil bath worm drive gearbox
- Chain pipe & peeler
- Independent gypsy and capstan operation
- Front double twin footings
- Suits multiple global chain standards
- Deck isolation pad

Standard Package* Included free of charge with new windlass purchase



Options

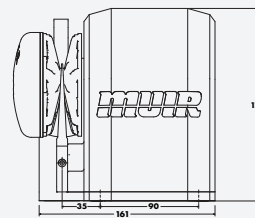
- Electrical operating options and accessories
- Full range of accessories including chain, rope, chain stoppers, snubber kits and devil claws
- Auto anchor - chain counter
- Anchor and Chain

*Inclusions can vary by country and region

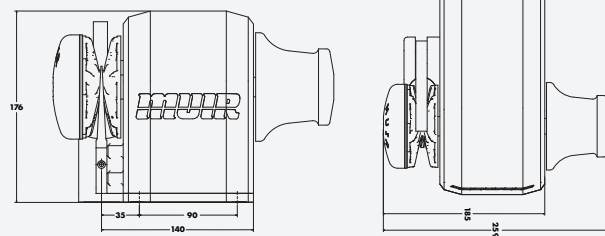


Model	HR650 & HC650 Lynx	HR950 & HC950 Lynx		
VESSEL LENGTH	5-9m 16-30ft	7-11m 23-37ft		
POWER SUPPLY (DC)	12V	12V		
CIRCUIT BREAKER	80A	80A		
MOTOR (WATTS)	550	750		
AMPS WORK LOAD (DC)	60	70		
MAX LOAD	369kg 813lb	464kg 1020.8lb		
WORK LOAD	123kg 271lb	154.7kg 340lb		
MAX LINE SPEED	21m/min 68ft/min	21m/min 68ft/min		
CHAIN SIZE	6mm (1/4")	8mm (5/16")		
ROPE SIZE (3PLY)	12mm (1/2") 14mm (9/16") 16mm (5/8")	12mm (1/2") 14mm (9/16") 16mm (5/8")		
AUTO ANCHOR COMPATIBLE	✓	✓		
NET WEIGHT (KG)	HR 12kg 27lb	HC 13kg 29lb	HR 12kg 27lb	HC 13kg 29lb
MANUAL OPERATION	N/A	N/A		

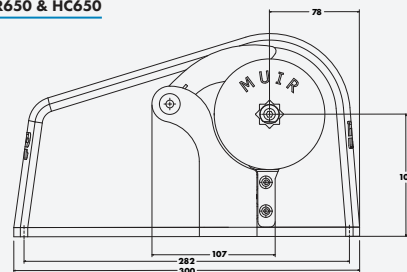
HR650



HC650



HR650 & HC650



Compact **NEW** HR1200/1600



Features

- Brushed finished 316 stainless steel housing
- Polished stainless steel components
- High tensile stainless steel shaft
- Heavy duty, marine grade, dual-direction motor
- Superior, heavy-duty Oil bath worm drive gearbox
- Gypsy lock/pawl
- Chain pipe & peeler
- Independent gypsy and capstan operation
- Front double twin footings
- Suits multiple global chain standards
- Deck isolation pad

Standard Package* Included free of charge with new windlass purchase



Options

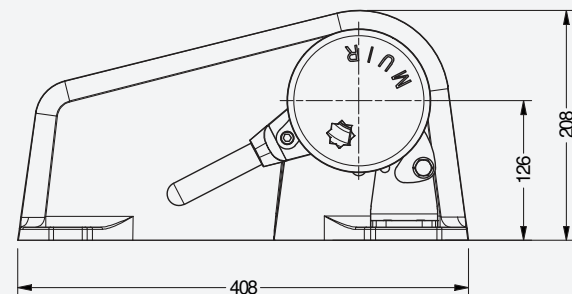
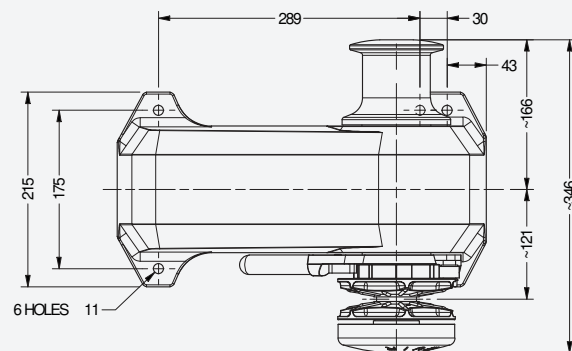
- Twin gypsy, twin capstan
- Traditional polished bronze finish on running gear
- Electric & hydraulic operating options & accessories
- Full range of accessories including chain, rope, chain stoppers, snubber kits and devil claws
- AC & hydraulic power options available
- Auto anchor - chain counter
- Anchor and Chain



*Inclusions can vary by country and region

Model	HR1200 Cougar	HR1600 Cougar
VESSEL LENGTH	8-12m 26-39ft	10-14m 33-46ft
POWER SUPPLY (DC)	12/24V	12/24/48V
CIRCUIT BREAKER (DC models only)	12V - 80A 24V - 80A	12V - 100A 24V - 80A
MOTOR (WATTS)	800	1200 (1000)
AMPS WORK LOAD	75/40	125/60
HYDRAULIC PRESSURE	TBA TBA	TBA TBA
HYDRAULIC FLOW	TBA TBA	TBA TBA
MAX LOAD	500kg 1102lb	621kg 1369lb
WORK LOAD	166kg 366lb	207kg 456lb
MAX LINE SPEED	26m/min 85ft/min	30m/min 98ft/min
CHAIN SIZE	6 mm (1/4") 8 mm (5/16") 10 mm (3/8")	6 mm (1/4") 8 mm (5/16") 10 mm (3/8")
AUTO ANCHOR COMPATIBLE	✓	✓
NET WEIGHT (KG)	DC 25kg HYD 24kg DC 55lb HYD 53lb	DC 25kg HYD 24kg DC 55lb HYD 53lb
MANUAL OPERATION	MORS (std)	MORS (std)

HR1200/1600 Cougar



Compact HR1600/2500

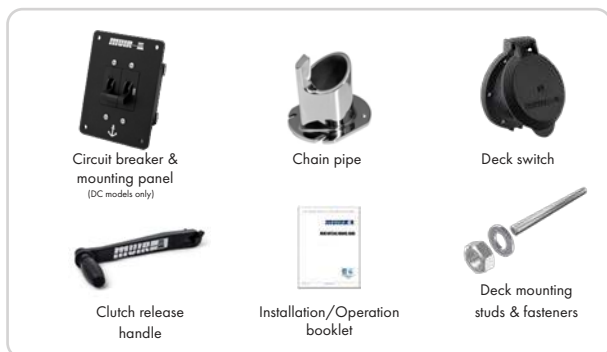


***Only to be used with chain**

Features

- Durable marine-grade white gloss composite housing
- Marine grade chromed bronze / 316 Stainless steel running gear
- High tensile stainless steel shaft
- Heavy duty, marine grade, dual-direction motor
- Superior, heavy-duty Oil bath worm drive gearbox
- Gypsy lock/pawl
- Chain pipe & peeler
- Independent gypsy and capstan operation
- Front double twin footings
- Suits multiple global chain standards
- Deck isolation pad

Standard Package* Included free of charge with new windlass purchase



Options

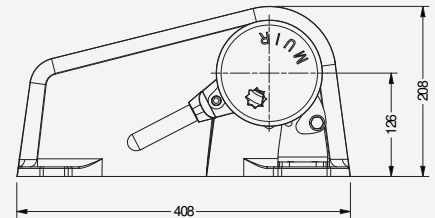
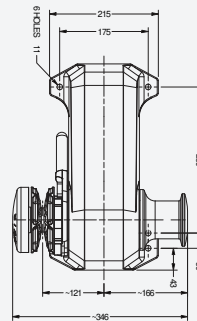
- Twin gypsy, twin capstan
- Traditional polished bronze finish on running gear
- Electric & hydraulic operating options & accessories
- Full range of accessories including chain, rope, chain stoppers, snubber kits and devil claws
- AC & hydraulic power options available
- Auto anchor - chain counter
- Anchor and Chain



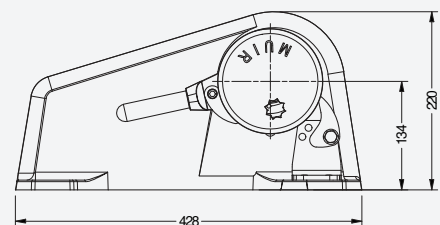
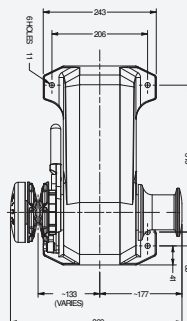
*Inclusions can vary by country and region

Model	HR1600 Cougar	HR2500 Cheetah
VESSEL LENGTH	10-14m 33-46ft	13-17m 42-57ft
POWER SUPPLY (DC)	12/24/48V	12/24V/48V
CIRCUIT BREAKER (DC models only)	12V - 100A 24V - 80A	12V - 150A 24V - 100A
MOTOR (WATTS)	1200 (1000)	1500 (1200)
AMPS WORK LOAD	125/60	150/75
HYDRAULIC PRESSURE	TBA TBA	10MPA 1450PSI
HYDRAULIC FLOW	TBA TBA	20L/min 5.5gal/min
MAX LOAD	621kg 1369lb	1200kg 2645lb
WORK LOAD	207kg 456lb	400kg 881lb
MAX LINE SPEED	30m/min 98ft/min	28m/min 91ft/min
CHAIN SIZE	6 mm (1/4") 8 mm (5/16") 10 mm (3/8")	8mm (5/16") 10mm (3/8") 13mm (1/2")
AUTO ANCHOR COMPATIBLE	✓	✓
NET WEIGHT (KG)	DC 25kg HYD 24kg DC 55lb HYD 53lb	DC 36kg HYD 35kg DC 79lb HYD 77lb
MANUAL OPERATION	MORS (std)	MORS (std)

HR1600 Cougar



HR2500 Cheetah



Compact HR3500



**Rope can also be used but is not recommended for larger vessels.*

Features

- Durable marine-grade white gloss composite housing
- Marine grade chromed bronze / 316 Stainless steel running gear
- High tensile stainless steel shaft
- Heavy duty, marine grade, dual-direction motor
- Superior, heavy-duty Oil bath worm drive gearbox
- Chain pipe & peeler
- Independent gypsy and capstan operation
- Front double twin footings
- Suits multiple global chain standards
- Deck isolation pad

Standard Package* Included free of charge with new windlass purchase



Options

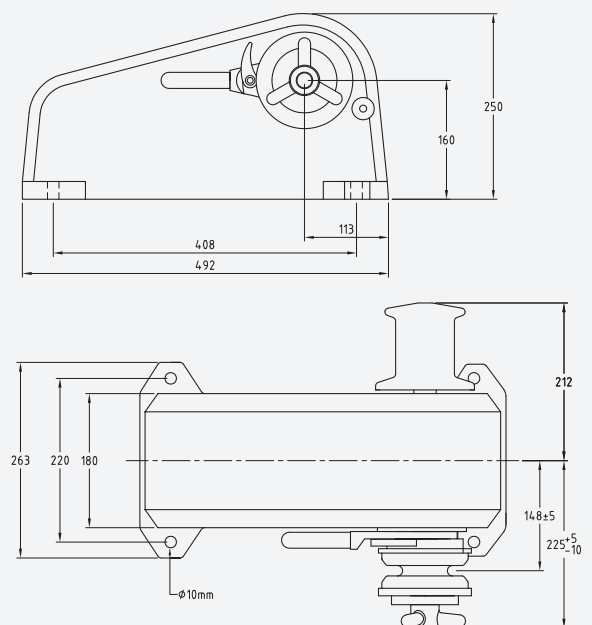
- Twin gypsy, twin capstan
- Traditional polished bronze finish on running gear
- Electric & hydraulic operating options & accessories
- Full range of accessories including chain, rope, chain stoppers, snubber kits and devil claws
- AC & hydraulic power options available
- Auto anchor - chain counter
- Anchor and Chain



*Inclusions can vary by country and region

Model	HR3500 Jaguar
VESSEL LENGTH	14–20m 45–67ft
POWER SUPPLY (DC)	12/24V/48V
CIRCUIT BREAKER (DC models only)	12V - 150A 24V - 100A
MOTOR (WATTS)	1700
AMPS WORK LOAD	185/90
HYDRAULIC PRESSURE	10MPa 1450PSI
HYDRAULIC FLOW	28L/min 7.5gal/min
MAX LOAD	1650kg 3637lb
WORK LOAD	550kg 1212lb
MAX LINE SPEED	28m/min 91ft/min
CHAIN SIZE	8mm (5/16") 10mm (3/8") 13mm (1/2")
AUTO ANCHOR COMPATIBLE	✓
NET WEIGHT	DC 58kg DC 58kg HYD 57kg HYD 125lb
MANUAL OPERATION	MORS (std)

HR3500 Jaguar



Compact HR4000/4200



**Rope can also be used but is not recommended for larger vessels.*

Features

- Durable marine-grade white gloss composite housing
- Marine grade chromed bronze / 316 Stainless steel running gear
- High tensile stainless steel shaft
- Heavy duty, marine grade, dual-direction motor
- Superior, heavy-duty Oil bath worm drive gearbox
- Chain pipe & peeler
- Independent gypsy and capstan operation
- Front double twin footings
- Suits multiple global chain standards
- Deck isolation pad

Standard Package* Included free of charge with new windlass purchase



Options

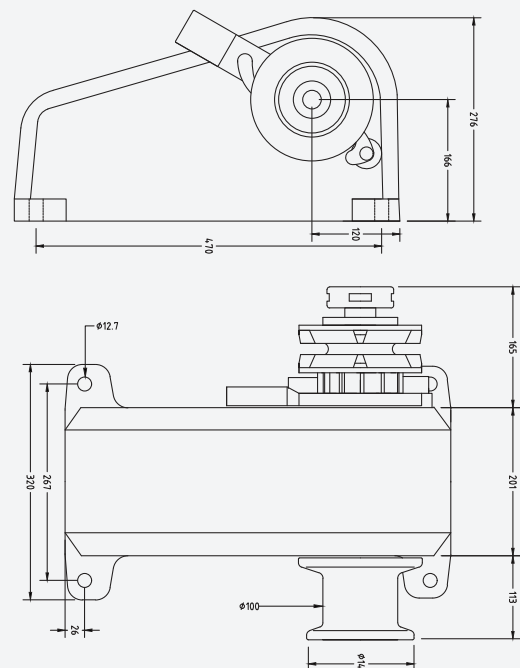
- Twin gypsy, twin capstan
- Traditional polished bronze finish on running gear
- Electric & hydraulic operating options & accessories
- Full range of accessories including chain, rope, chain stoppers, snubber kits and devil claws
- AC & hydraulic power options available
- Auto anchor - chain counter
- Anchor and Chain



*Inclusions can vary by country and region

Model	HR4000 Thor	HR4200 Thor
VESSEL LENGTH	18-24m 58-79ft	18-25m 58-82ft
POWER SUPPLY (DC)	24V/48V	24/48V
CIRCUIT BREAKER (DC models only)	12V - 150A 24V - 100A	24V - 150A
MOTOR (WATTS)	1700	2200
AMPS WORK LOAD	90	110
HYDRAULIC PRESSURE	12MPa 1750PSI (max)	12MPa 1750PSI(max)
HYDRAULIC FLOW	28L/min 7.5gal/min	28L/min 7.5gal/min
MAX LOAD	1800kg 3968lb	2100kg 4629lb
WORK LOAD	600kg 1322lb	700kg 1543lb
MAX LINE SPEED	17m/min 55ft/min	17m/min 55ft/min
CHAIN SIZE	8mm (5/16") 10mm (3/8") 13mm (1/2") 16mm (5/8")	8mm (5/16") 10mm (3/8") 13mm (1/2") 16mm (5/8")
AUTO ANCHOR COMPATIBLE	✓	✓
NET WEIGHT	DC64kg DC140lb HYD63kg HYD139lb	DC64kg DC140lb HYD63kg HYD139lb
MANUAL OPERATION	MORS (std)	MORS (std)

HR4000/4200 Thor



Easyweigh H900/V900



H900



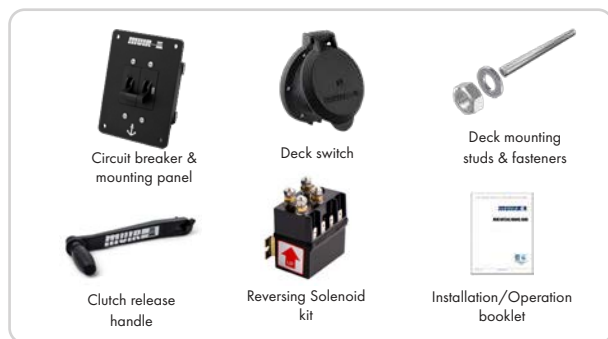
V900



Features

- Polished stainless steel components
- Rope Chain Management System (RCMS) fitted
- Suits multiple global chain standards

Standard Package* Included free of charge with new windlass purchase



Options

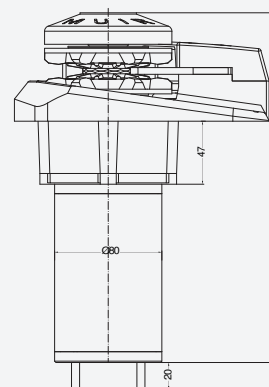
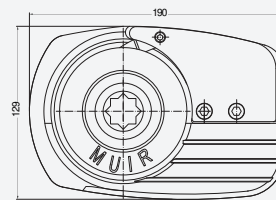
- Circuit breaker & mounting panel
- Helm control rocker switch & mounting panel
- 12-24v reversing solenoid kit to suit all application
- Full range of accessories including chain, rope, chain stoppers, snubber kits and devil claws
- Electrical operating options and accessories
- Anchor and Chain

*Inclusions can vary by country and region

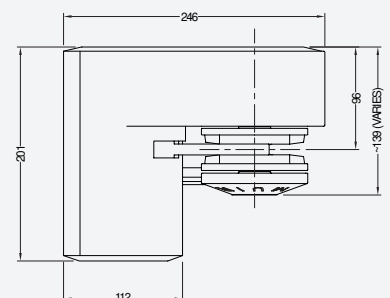
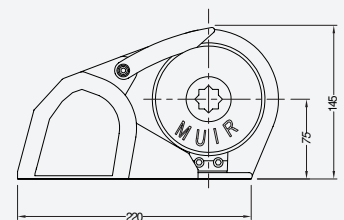


Model	Horizontal 900W	Vertical 900W
VESSEL LENGTH	6–11m 20–39ft	6–11m 20–39ft
POWER SUPPLY (DC)	12V	12V
CIRCUIT BREAKER	100A	100A
MOTOR (WATTS)	900	900
AMPS WORK LOAD (DC)	100	80
MAX LOAD	510kg 1124lb	300kg 660lb
WORK LOAD	170kg 375lb	100kg 220lb
MAX PULL		
MAX LINE SPEED	23m/min 75ft/min	23m/min 75ft/min
CHAIN SIZE	6mm (1/4") 8mm (5/16")	6mm (1/4") 8mm (5/16")
ROPE SIZE (3PLY)	12mm (1/2") 14mm (9/16")	12mm (1/2")
NET WEIGHT (KG)	13kg 28lb	9kg 20lb
MANUAL OPERATION	N/A	N/A

V900



H900





Vertical Powered Capstans

Designed to suit vessels up to 27m (88ft) the Muir range of capstans provide reliable and heavy duty operation for mooring, warping and anchoring for all recreational and commercial applications.

Efficient and quick they can be installed independently or as a complete system with windlasses.

Manufactured to the highest quality standard, featuring heavy chrome and gear drive assembly.

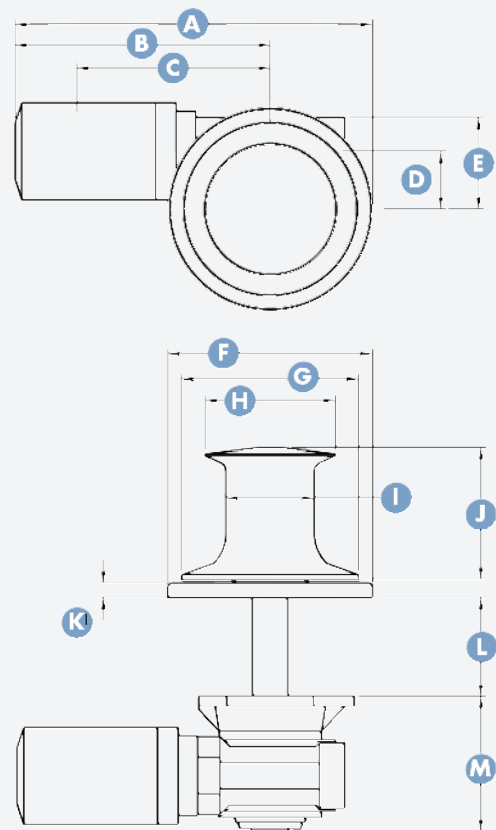
Accommodating varying deck thicknesses, they are popular for line hauling and fishing purposes. Available in 12 & 24 volt, Hydraulic & AC options.

Features

- Deck hugging snag free design
- Unit can be mounted horizontally
- Polished 316 Stainless steel on some models
- Capstan has knurled grip
- Heavy duty dual direction motor in 12,24 & 48V, AC & Hydraulic
- Stainless steel shaft
- Stainless steel mounting bolts
- Installation/Operation booklet

Options

- Inline drive options see page 26
- AC option (VC2500/3500/4000)
- Traditional polished bronze finish
- Heavier duty motor for lifting and fishing use
- Extra deck clearance kit for any deck thickness
- Full range of accessories
- Electric & hydraulic operating options & accessories



Vertical Powered Capstans

VC500/650/850/2500/3500



Model	VC500	VC650	VC850	VC2500	VC3500
VESSEL LENGTH	5–9m 16–31ft	8–11m 26–38ft	9–14m 29–47ft	14–22m 45–72ft	16–27m 16–29m
POWER SUPPLY (DC)	12V	12/24V	12/24V	12/24V/48V	12/24V/48V
CIRCUIT BREAKER	80A	80A	12V - 100A 24V - 80A	12V - 150A 24V - 100A	12V - 150A 24V - 100A
MOTOR (WATTS)	550	800	1200	1500	1700
AMPS WORK LOAD (DC)	75	75/40	125/60	150/70	185/90
HYDRAULIC PRESSURE (bar/PSI)	N/A N/A	N/A N/A	N/A N/A	10MPa 1450PSI	11 MPa 1600PSI
HYDRAULIC FLOW	N/A N/A	N/A N/A	N/A N/A	20L/min 5.5gal/min	28L/min 7.5gal/min
MAX LOAD	150kg 330lb	330kg 727lb	447kg 985lb	1185kg 2612lb	1530kg 3373lb
WORK LOAD	50kg 110lb	110kg 242lb	149kg 328lb	395kg 870lb	510kg 1124lb
MAX LINE SPEED	25m/min 82ft/min	20m/min 65ft/min	24m/min 78ft/min	15m/min 49ft/min	16m/min 52ft/min
CHAIN SIZE	N/A N/A	N/A N/A	N/A N/A	N/A N/A	N/A N/A
ROPE SIZE	10mm (3/8") 12mm (1/2")	10mm (3/8") 12mm (1/2")	10mm (3/8") 14mm (9/16")	12mm (1/2") 19mm (3/4")	14mm (9/16") 25mm (1")
NET WEIGHT (KG)	DC 9kg DC 20lb	DC 12kg DC 26lb	DC 16kg DC 35lb	DC 25kg / HYD 23kg DC 55lb / HYD 51lb	DC 27kg / HYD 19kg DC 59lb / HYD 42lb

Vertical Powered Capstan Dimensions

Model	VC500	VC650	VC850	VC2500	VC3500
A	262mm 10.31"	277mm 10.90"	315mm 12.40"	425mm 16.73"	438mm 17.24"
B	198mm 7.79"	220mm 8.66"	245mm 9.65"	328mm 12.91"	328mm 12.91"
C	N/A N/A	N/A N/A	N/A N/A	261mm 10.28"	261mm 10.28"
D	45mm 1.77"	45mm 1.77"	49mm 1.93"	62mm 2.44"	62mm 2.44"
E	71mm 2.79"	71mm 2.79"	80mm 3.15"	97mm 3.82"	97mm 3.82"
F	127mm 5.0"	114mm 4.49"	139mm 5.47"	190mm 7.48"	220mm 8.66"
G	100mm 3.94"	114mm 4.40"	133mm 5.24"	190mm 7.48"	190mm 7.48"
H	82mm 3.23"	104mm 4.09"	108mm 4.25"	140mm 5.51"	140mm 5.51"
I	63mm 2.48"	75mm 2.95"	85mm 3.35"	95mm 3.74"	95mm 3.74"
J	75mm 2.95"	95mm 3.74"	118mm 4.65"	142mm 5.59"	142mm 5.59"
K	7mm 0.27"	7mm 0.27"	12mm 0.47"	10mm 0.39"	10mm 0.39"
L	54mm 2.12"	51mm 2.00"	51mm 2.00"	112mm 4.40"	112mm 4.40"
M	98mm 3.86"	100mm 3.93"	144mm 5.67"	146mm 5.75"	146mm 5.75"

Easyweigh VC800

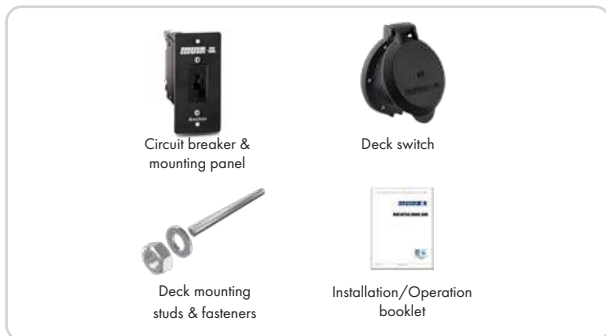


Model	VC800 Pot Hauler
VESSEL LENGTH	Up to 11m Up to 38ft
POWER SUPPLY (DC)	12V
CIRCUIT BREAKER	80A
MOTOR (WATTS)	900
AMPS WORK LOAD (DC)	60
MAX LOAD	135kg 297lb
WORK LOAD	80kg 176lb
MAX LINE SPEED	25m/min 82ft/min
CHAIN SIZE	N/A
ROPE SIZE	Up to 12mm (Up to 1/2")
NET WEIGHT	8.5kg 19lb

Features

- Marine grade 316 Stainless Steel Capstans
- Capstan features knurled finish for increased grip
- Clockwise rotation
- Auto action clutch preventing rollback
- Unit can be mounted horizontally
- Stainless steel mounting bolts
- Shaft seal
- Installation/Operation booklet

Standard Package* Included free of charge with new capstan purchase



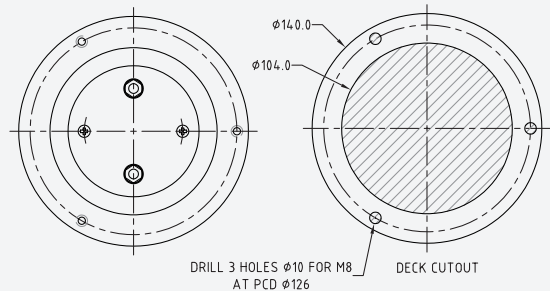
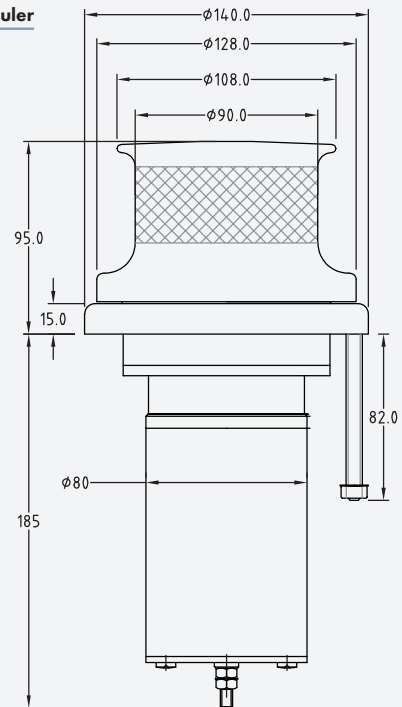
*Inclusions can vary by country and region

EASYWEIGH

BY **MUIR**



VC800 Pot Hauler



Easyweigh Pot Hauler



Features

- Equipped with a folding retaining arm that allows minimal space and easy storage.
- Fully dismantable/portable design.
- Free rotating lower axle and a manual press wheel, eliminating the need for light pulling on the rope.
- Perfect for pulling traps for crab, shrimp, lobster etc.
- Stainless steel mounting bolts
- Installation/Operation booklet

Standard Package* Included free of charge with new pot hauler purchase



*Inclusions can vary by country and region

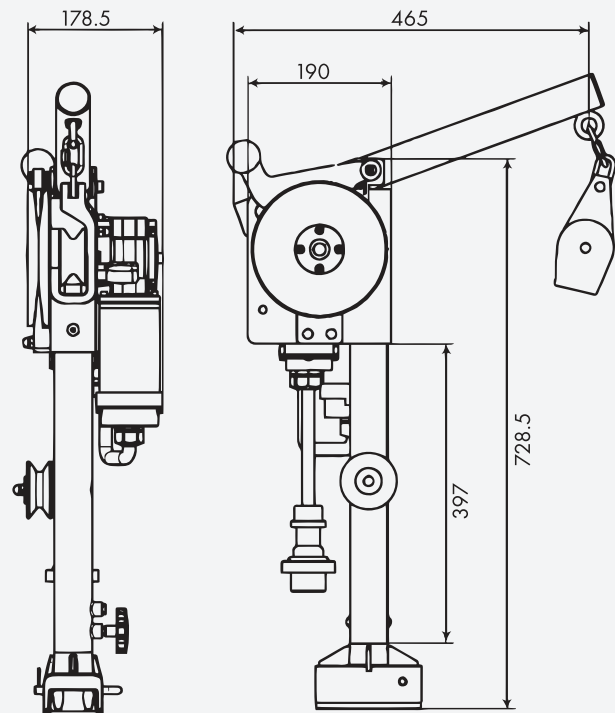
EASYWEIGH

BY **MUIR**



Model	MH200 Pot Hauler
VESSEL LENGTH	Up to 11m Up to 38ft
POWER SUPPLY (DC)	12V
CIRCUIT BREAKER	100A
MOTOR (WATTS)	900
AMPS WORK LOAD (DC)	120
MAX LOAD	90kg 198lb
WORK LOAD	18kg 37lb
MAX LINE SPEED	35m/min 115ft/min
CHAIN SIZE	N/A
ROPE SIZE	4-10mm (2/25" - 3/8")
AUTO ANCHOR COMPATIBLE	N/A
NET WEIGHT	13.7Kg 30.2lb

MH200 Pot Hauler





Drum Winches

Muir's patented range of drum winches varies from Auto Free Fall, Power Up & Power Down, as well as Manual Release Free Fall. They are all available to you in one unit making anchoring easy, fast, and reliable, and they do not require any more space than a standard drum winch. Our models suit boats from 4 to 14 metres (13–47ft), with a larger drum capacity than any other free falls on the market.

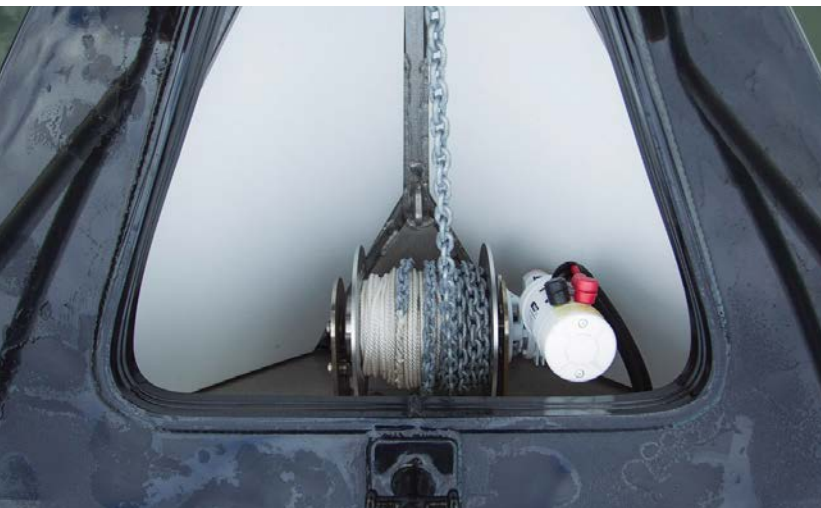
- Mechanical auto & manual release free fall means no troublesome electronics need to be mounted on the drum or in your chain locker.
- Drum shaft on a serviceable bearing centre for smooth hassle free operation even under full load.
- Muir-designed HDPE & UV protected heavy duty brake means no over-run of the drum during free fall.
- All Muir free falling drum winches are supplied with a circuit breaker, reversing solenoid pack, helm control switch and fascia panels, as well as simple tools & hardware for an easy 30 second adjustment from Auto Free Fall; to manual free fall and power up/power down options.
- Larger drum capacity than other free falls on the market.
- Does not require any more space than a standard drum winch.

FEATURES

- Compact anchoring system to suit boats with little or no anchor rode storage.
- Designed and made in Australia.
- Drum-316 Stainless Steel.
- 3 year limited warranty.
- Inc. reversing solenoid, circuit breaker and up/down rocker switch.
- Fitting instructions included with full electrical wiring diagram.
- Simple installation.
- "Tangle free" rope and chain operation.



Drum Winch rope/chain guide rollers



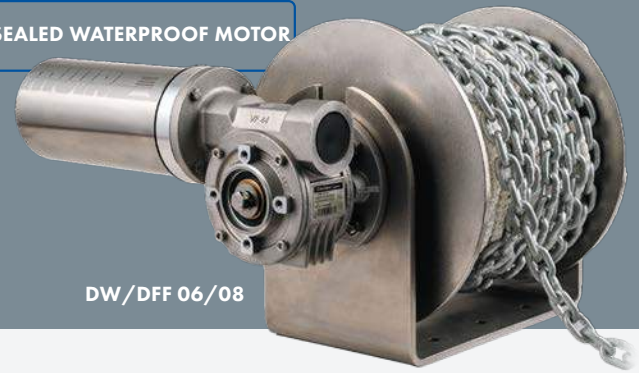


FULLY SEALED WATERPROOF MOTOR

Drum Winches

Power Up/Power Down

DW06/08/10/12/15



DW/DFF 06/08

Model	DW06	DW08	DW10	DW12	DW15
VESSEL LENGTH	4-7m 12-16ft	5-8m 16-28ft	8-10m 26-36ft	10-12m 34-42ft	12-14m 40-49ft
POWER SUPPLY (DC)	12V	12/24V	12/24/48V	12/24V/48V	12/24V/48V
CIRCUIT BREAKER	80A	12V - 100A 24V - 80A	12V - 100A 24V - 80A	12V - 150A 24V - 100A	12V - 150A 24V - 100A
AMPS WORK LOAD (DC)	60	80	125/60	150/70	185/90
MOTOR (WATTS)	550	800	1200	1500	1700
HYDRAULIC PRESSURE (bar/PSI)	N/A N/A	N/A N/A	TBA TBA	TBA TBA	TBA TBA
HYDRAULIC FLOW	N/A N/A	N/A N/A	TBA TBA	TBA TBA	TBA TBA
MAX LOAD	120kg at 6m/min 264lb	180kg at 7m/min 400lb	261kg at 7m/min 575lb	312kg at 7m/min 690lb	390kg at 8m/min 860lb
WORK LOAD	40kg at 33m/min 88lb	60kg at 33m/min 133lb	87kg at 33m/min 192lb	104kg at 33m/min 230lb	130kg at 25m/min 287lb
MAX LINE SPEED	33m/min	33m/min	33m/min	33m/min	25m/min
CHAIN SIZE	6mm (1/4")	6mm (1/4") 8mm (5/16")	8mm (5/16") 10mm (3/8")	8mm (5/16") 10mm (3/8")	10mm (3/8") 12mm (1/2")
ROPE SIZE	6mm (1/4")	8mm (5/16")	10mm (3/8")	10mm (3/8")	12mm (1/2")
NET WEIGHT (KG)	15/16	15/16	30/31	32/34	35/37
CAPACITY (drum)	50m of 6mm line 5m of 6mm chain	100m of 6mm line OR 80m of 8mm line 5m of 8mm chain	120m of 6mm line OR 80m of 8mm line 5m of 8mm chain	120m of 6mm line OR 80m of 8mm line 5m of 8mm chain	120m of 6mm line OR 80m of 8mm line 5m of 8mm chain

There are several critical criteria to consider when choosing the correct drum winch to meet your needs. These include the vessel size, displacement, anchor size and rode selection. Muir offers an extensive range of drum winches with models to suit boats from 4 to 14 metres (13-47ft).

POWER UP / POWER DOWN OPERATION

If necessary, the Freefall Drum Winch can be powered down without freefall. This can be done by loosening the Declutcher with the Clutch Handle and allowing the Declutcher to drop to the bottom of the slot.

Features

- Marine grade 316 stainless steel drum
- Heavy duty, marine grade, dual-direction motor
- Superior, heavy-duty Oil bath worm drive gearbox
- Compact Anchoring system to suit boats with little or no anchor rode storage
- Simple installation

Standard Package* Included free of charge with new drum winch purchase



Circuit breaker & mounting panel



Helm control rocker switch & mounting panel



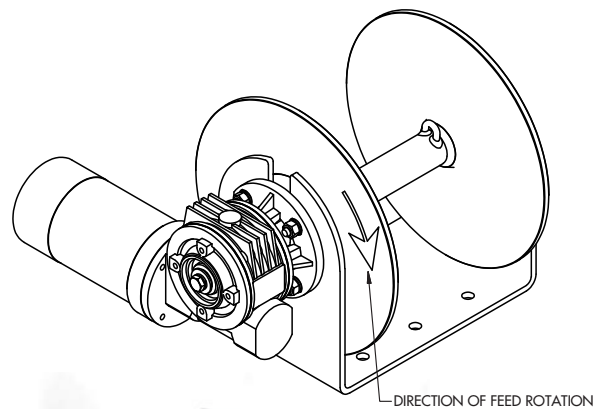
Deck mounting studs & fasteners



reversing solenoid kit



Installation/Operation booklet



DIRECTION OF FEED ROTATION

Options

- Chain guide
- Backing Plate available
- Full range of accessories including rope, rope chain kits
- Anchor and Chain



Drum Winch rope/chain guide rollers

*Inclusions can vary by country and region



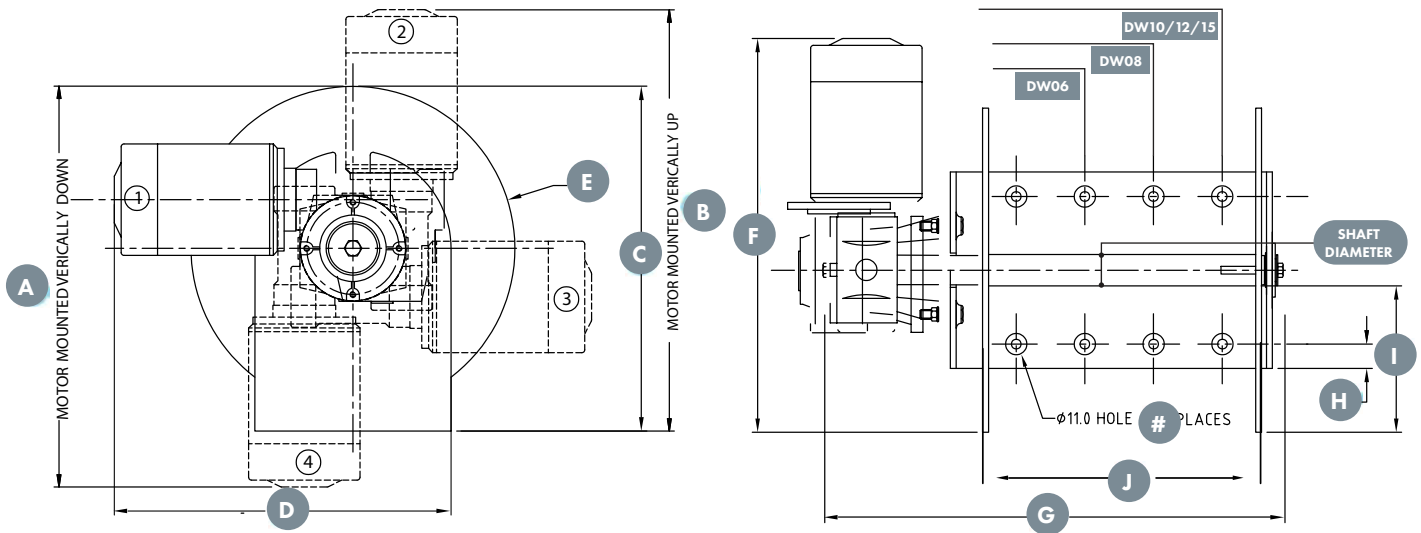
Drum Winches

Power Up/Power Down

DW06/08/10/12/15



DW06/08/10/12/15



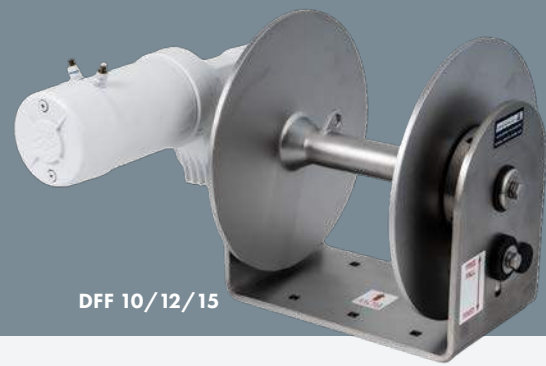
Drum Winch Dimensions

Model	DW06	DW08	DW10	DW12	DW15
A	281mm 11.06"	355mm 13.98"	427mm 16.81"	448mm 17.64"	502mm 19.76"
B	293mm 11.54"	369mm 14.53"	436mm 17.17"	458mm 18.03"	511mm 20.12"
C	222mm 8.74"	258.5mm 10.18"	359mm 14.13"	359mm 14.13"	359mm 14.13"
D		308mm 12.12"	352mm 13.86"	374mm 14.72"	427mm 16.81"
E	210mm 8.26"	245mm 9.64"	350mm 13.78"	350mm 13.78"	350mm 13.78"
F		356mm 14.02"	427mm 16.81"	449mm 17.68"	502mm 19.76"
G	321mm 12.63"	357mm 14.06"	483mm 19.02"	478mm 18.82"	478mm 18.82"
H	20mm 0.78"	25mm 0.98"	25mm 0.98"	25mm 0.98"	25mm 0.98"
I	92.5mm 3.64"	110mm 4.33"	159mm 6.26"	159mm 6.26"	159mm 6.26"
J	140mm 5.51"	192.5mm 7.58"	272mm 10.71"	272mm 10.71"	272mm 10.71"
# of places	4	6	8	8	8
SHAFT DIAMETER	25mm 0.98"	25mm 0.98"	32mm 1.25"	32mm 1.25"	32mm 1.25"

Drum Winches

FreeFall

DFF08/10/12/15



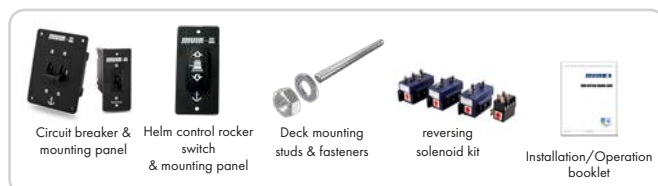
DFF 10/12/15

Model	DFF08	DFF10	DFF12	DFF15
VESSEL LENGTH	5–8m 16–28ft	8–10m 26–36ft	10–12m 34–42ft	12–14m 40–49ft
POWER SUPPLY (DC)	12/24V	12/24V	12/24V/48V	12/24V/48V
CIRCUIT BREAKER	12V - 100A	12V - 100A	12V - 150A	12V - 150A
	24V - 80A	24V - 80A	24V - 100A	24V - 100A
MOTOR (WATTS)	800	1200	1500	1700
AMPS WORK LOAD (DC)	80	125/60	150/70	185/90
HYDRAULIC PRESSURE (bar/PSI)	N/A N/A	TBA TBA	TBA TBA	TBA TBA
	N/A N/A	TBA TBA	TBA TBA	TBA TBA
MAX LOAD	180kg at 7m/min 400lb	261kg at 7m/min 575lb	312kg at 7m/min 690lb	390kg at 8m/min 860lb
WORK LOAD	60kg at 33m/min 133lb	87kg at 33m/min 192lb	104kg at 33m/min 230lb	130kg at 25m/min 287lb
MAX LINE SPEED	33m/min	33m/min	33m/min	25m/min
CHAIN SIZE	6mm (1/4")	8mm (5/16")	8mm (5/16")	10mm (3/8")
	8mm (5/16")	10mm (3/8")	10mm (3/8")	12mm (1/2")
ROPE SIZE	8mm (5/16")	10mm (3/8")	10mm (3/8")	12mm (1/2")
NET WEIGHT (KG)	15/16	30/31	32/34	35/37
CAPACITY (drum)	100m of 6mm line OR 80m of 8mm line 5m of 8mm chain	120m of 6mm line OR 80m of 8mm line 5m of 8mm chain	120m of 6mm line OR 80m of 8mm line 5m of 8mm chain	120m of 6mm line OR 80m of 8mm line 5m of 8mm chain

Features

- Muir's patented Auto Freefall or Manual Release Freefall is available in one unit!
- Mechanical Auto & Manual Release Freefall means no troublesome electronics must be mounted on the Drum or your chain locker
- Drum Shaft on a serviceable bearing centre for smooth, hassle-free operation even under full load.
- Muir's drum brake means no over-run during Freefall
- Fast, easy and reliable anchoring with a Muir Drum Winch
- Large capacity drum
- Compact Anchoring system to suit boats with no anchor rode storage
- 316 stainless steel drum
- Superior heavy duty drive train

Standard Package* Included free of charge with new drum winch purchase



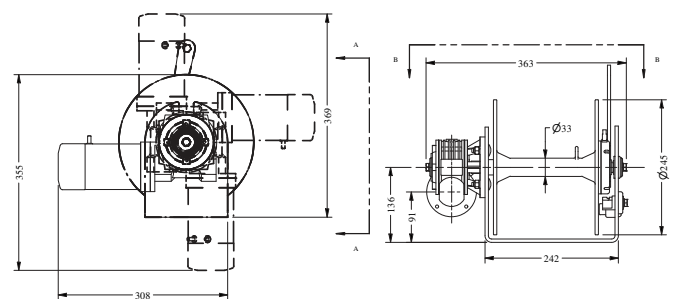
Options

- Chain guide
- Backing Plate available
- Full range of accessories including rope, rope chain kits

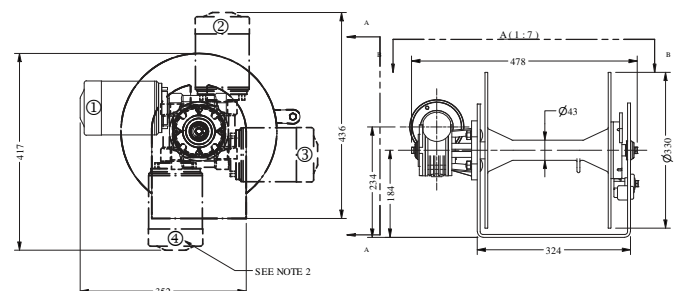
*Inclusions can vary by country and region



DFF08 FreeFall



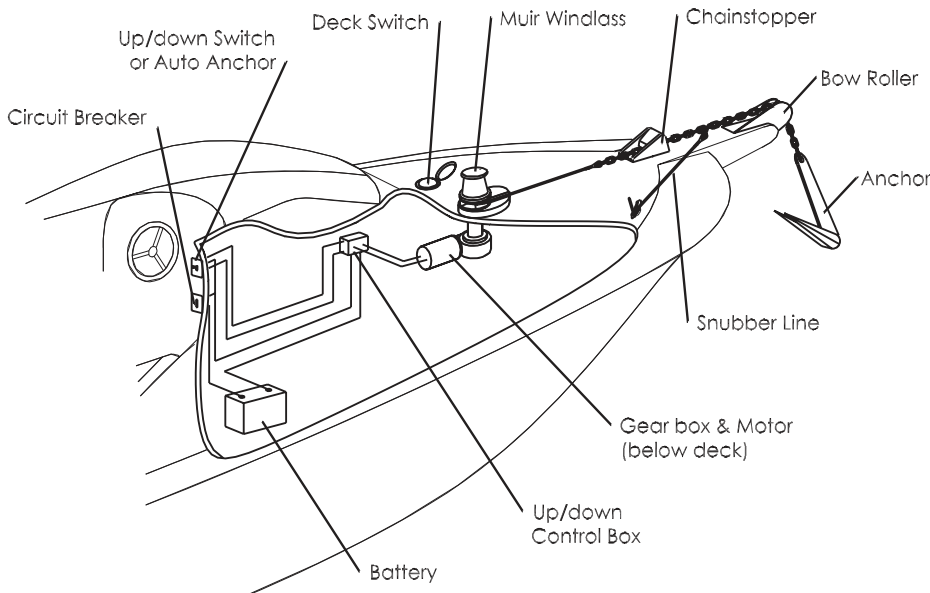
DFF10 FreeFall



System Accessories



ACCESSORIES POSITIONING GUIDE



CHAIN STOPPER WITH LOCKING ARM AND DEVIL CLAW

Following the same principal of the conventional chain stoppers and separate devil claw, this unique arrangement offers additional safety.

The devil claw hooks onto the chain and provides tension on the chain while the anchor is stowed ensuring additional hold while under way. The devil claw can be easily removed or simply secured off to the side.

The set provides increased safety. Available to suit chain from 8–38mm (5/16" - 1 1/2").



CIRCUIT BREAKER / ISOLATOR PANEL

Muir circuit breaker/isolator panels will suit various windlasses and capstans. Featuring an on-off switch, they ensure protection against a circuit short by reducing motor burn-out risk. They are manufactured from marine-grade materials and are available in 60, 80, 100 and 150 AMPS to suit 12 and 24-volt applications. This unit can also be utilised as a battery isolator when the windlass is not in use.



MANUAL HANDLES

Muir windlasses use standard winch handles for clutch release and manual operation. High strength floating plastic handles are light weight. Available in various sizes.

*Handles may vary by windlass model.



DUAL DIRECTION SOLENOID 2P-3P-4P

Heavy duty solenoids provide reversing at the flick of a switch for all Muir model windlasses and capstans in 12V/24V/48V DC. Used in conjunction with deck switches, remote up/down panels and auto anchor. A second station requires only up-down switch without solenoids.



DRUM WINCH GUIDE ROLLERS

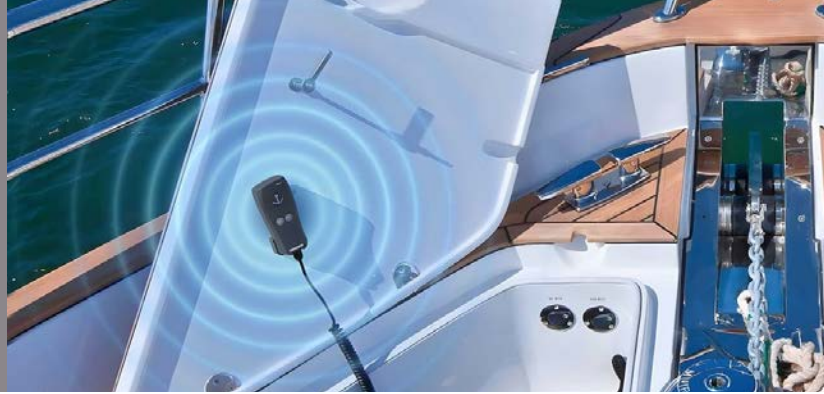
Drum Winch rope/chain quality guide rollers fabricated with 316 stainless steel available in various sizes to fit drum winches from DW06-DW15.



WINCH GUIDE FAIRLEAD ROLLERS

Winch rope/chain quality guide rollers fabricated with 316 stainless steel available in various sizes to fit VRC - HR winlasses. Used to increase wrap on horizontal winches.

Anchoring Controls



CHAIN COUNTER ENABLED

Auto Anchor AA150 Kit



AA150 CONTROL AND COUNTER
(Chain Counter Readout Only)

Standard Package

- Sensor with 2m cable
- 2 X Magnet
- Load sensing connectors
- Installation/Operation booklet

Not included

- Plug-and-play sensor extension
- Sensor Holder (For horizontal windlasses)

Additional connectors, consoles, base stations and antennas sold separately.
*Please refer to the installation manual for your specific installation requirements.

FEATURES

- Rode length monitoring from the helm.
- Large LCD display with adjustable red backlighting shows length of anchor rode deployed. Display in feet or meters.
- Docking alarm warns skipper when anchor is close to docking.
- Pre-programmed calibrations for rope/chain rodes.
- Install up to two units or combine with the AA550RC, AA500C or AA601 for multiple stations.
- Standard 60mm (2.36") marine instrument console.

Auto Anchor AA560 Kit



AA560 CONTROL AND COUNTER
(Up/Down Control + Chain Counter Readout)

Standard Package

- Sensor with 2m cable
- 2 X Magnet
- Load sensing connectors
- Installation/Operation booklet

Not included

- Plug-and-play sensor extension
- Sensor Holder (For horizontal windlasses)

Additional connectors, consoles, base stations and antennas sold separately.
*Please refer to the installation manual for your specific installation requirements.

FEATURES

- Improved contrast on the LCD
- Automatic Sensor Detection – no need to select sensor in the set up
- Manual control stop at docking distance – stops the windlass during retrieval when using manual and automatic operation
- Swap controls option in the set up – this option means the Up button can be used as Out and the Down button can be used as In
- Drum windlass counting capability
- Improved troubleshooting – Simplified diagnostics and built in voltmeter with expanded technician diagnostics

Auto Anchor AA710 Kit



(Up/Down Control + Chain Counter Readout)

Auto Anchor AA730 Kit



(Up/Down Control + Chain Counter Readout)

Standard Package

- Sensor with 2m cable
- 2 X Magnet
- Base station
- Load sensing connectors
- Stowage Cradle
- Installation/Operation booklet
- Deck socket with 2m lead
- Socket Sealing Cap

AA710

Not included

- Plug-and-play sensor extension
- Sensor Holder (For horizontal windlasses)
- Wireless Range Extender

AA730

Additional connectors, consoles, base stations and antennas sold separately.
*Please refer to the installation manual for your specific installation requirements.

AA700 SERIES FEATURES

- Full windlass control and chain counting
- Controls bow and stern thrusters independently and together
- Preset the length of rode to deploy
- Auto stop and docking alarm when the anchor is close to docking
- Works with rope/chain or all-chain rode
- Logs windlass operating hours for maintenance
- Easy installation and set up on most windlasses
- Plug and play sensor installation
- Console unit is shockproof, waterproof and will float
- High level wireless transmission security with unique ID
- 4 metres spiral cable
- Electrical protection against back-emf
- Rubber over-moulding for shock protection and grip
- Stowage cradle
- Operation in parallel with all AutoAnchor product, eg- toggle switches, foot switches or other control equipment
- Connect to DC, AC and Hydraulic systems
- Rugged cable and connectors

Anchoring Controls



Auto Anchor - AA320 Kit

Designed for single windlass single speed
Up/Down Control



2 Outputs
Single windlass single speed
Up/Down Control

2 Buttons Up/Down

Control Only
No AA Functionality

Auto Anchor - AA342 Kit

Designed for dual windlass single speed
Up/Down Control



4 Outputs
Dual windlass single speed Up/Down Control or
Single Windlass Fast/Slow Up/Down Control

2 Buttons Up/Down Port
2 Buttons Up/Down Starboard

Control Only
No AA Functionality

Standard



AA300 SERIES FEATURES

- Electrical protection against back-emf
- Ergonomic shape with rubber over-moulding for shock protection and grip
- Operation in parallel with all AutoAnchor products.
- Toggle switches, foot switches or other control equipment
- Connect to DC, AC and Hydraulic systems
- Rugged cable and connectors with:
 - Moulded plug and socket rated to IP67
 - 2m flying-lead from socket for better connectivity
 - Gold plated contacts on plug and socket to reduce corrosion



SCAN TO DISCOVER THE
FULL AUTO ANCHOR
RANGE

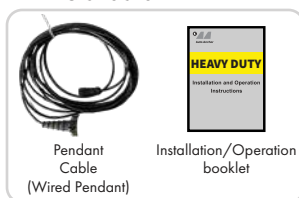
HEAVY DUTY HAND PENDANT

Heavy Duty Hand Pendants are recommended for vessels anchoring multiple times a day.

Heavy Duty - 2 Button Kit



Standard



2 Outputs + Emergency Stop
2 Buttons Single Speed Up/Down

Available in wired and wireless versions

Control Only No AA Functionality

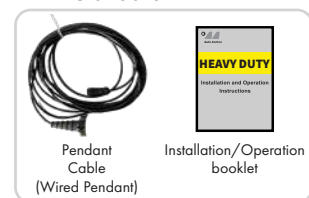
FEATURES

- Instantaneous action switches
- Dust-proof rubber/rubber-protected buttons/clamping screw adjustment sleeves
- IP 65 Protection according to CEI EN 60529
- Easy installation and easy (flexible/push-pull) connection of the switches
- Ergonomic and shock-resistant housing

Heavy Duty - 4 Button Kit



Standard



4 Outputs + Emergency Stop
4 Buttons Two Speed Up/Down

Available in wired and wireless versions

Control Only No AA Functionality

FEATURES

- 2 Speed options
- Instantaneous action switches
- Dust-proof rubber/rubber-protected buttons/clamping screw adjustment sleeves
- IP 65 Protection according to CEI EN 60529
- Easy installation and easy (flexible/push-pull) connection of the switches
- Ergonomic and shock-resistant housing

Anchoring Controls



FOOTSWITCHES

Heavy duty **footswitches** with marine grade covers and hard wearing U.V stabilized neoprene boot and each unit is supplied with instructions and fitting screws. Suitable for 12 and 24 volt applications, nickel plated copper contacts provide corrosion free operation. Available in multiple finishes.

Heavy-Duty Deck Foot Switch



Cover Variations



Available in single speed and two speed versions.

FEATURES

- Compatible with DC, AC and Hydraulic windlasses with control cabinets
- 1 Up Switch and 1 Down Switch
- Open contact, 150 Amps continuous rating
- Made from UV-stabilized ABS Plastic
- Nickel-plated copper contacts
- Strong Hinged Cover to prevent accidental operation

Heavy-Duty Deck Foot Pedal Switch



FEATURES

- Compatible with DC, AC and Hydraulic windlasses with control cabinets
- 2-pedal type
- Thermoplastic enclosure
- Small flat design
- Wiring compartment
- Micro switches (1-pole change-over contact per pedal) for current load up to 5 A

Remote Up/Down Control



FEATURES

- Allows simple remote operation of all windlasses from the helm, flybridge, or cockpit.
- Modern and sleek design, making it easy to install and use.
- Manufactured from durable marine-grade materials to withstand harsh marine environments.
- Fitted with power indicator lights for easy monitoring.
- Available in both 12V and 24V DC, suitable for various power systems.

Anchor Chain



GALVANISED SHORT LINK CHAIN

Manufactured from G50 mild steel, this calibrated chain is welded for high strength and hot dipped galvanised for minimal corrosion. Available in a selection of sizes and formations, it will fit all Muir chain gypsies as well as other windlass brands.

Grade L G50 Short Link Chain

The most widely used certified anchor chain in Australia. Muir supplies a super high strength G50 grade chain in AS2321 Grade L dimensions

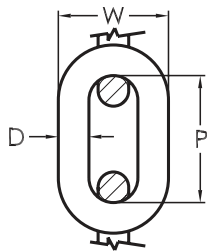
Chain Size mm	MBL (tonne)	D (mm)	P (mm)	W (mm)	Links/m	Metres/100kg
6	3.6	6.3	18.8	21.6	53	110
8	5.8	8	23.8	27.8	42	69.9
10	7.2	10	29.8	34	33.6	43.9
13	12.2	12.5	38	42	26.5	28.9

ABBREVIATIONS

D Dia **W** Width
P Pitch **MBL/MBF** Minimum breaking load/force

WWL Max mass which the chain hanging vertical shall support in general service. Generally $\frac{1}{5}$ th of MBL.

Note: Link dimensions and metres/100kg subject to commercial tolerances.
 Larger sizes and types available eg studlink, refer to Mega Catalogue or contact nearest Muir office.



ANCHOR AND SWIVEL SHACKLES

Muir Grade S hot-dipped galvanised and stainless steel shackles are designed for marine and commercial use, making them perfect for anchor chains. They come in bow and eye configurations with screw collar pins. These shackles are compatible with all types and sizes of chains and anchors. Additionally, swivel shackles are offered in galvanised and stainless steel to accommodate various chain sizes.

*Please note: Chain supply is limited to Grade L for Australia and stud-link globally.

CHAIN

Chain Size mm	Australian HDG kg/m	European HDG kg/m	Chain Size inch	American HDG lbs/ft	American HDG kg/m
6	0.9	0.8	1/4	0.7	1.1
8	1.5	1.4	5/16	1.1	1.6
10	2.3	2.3	3/8	1.5	2.2
13	3.6	3.9	1/2	2.6	3.8



Anchor Rodes and Rope Chains



ANCHOR RODES OR ROPE CHAIN - CUSTOM KITS AVAILABLE

Muir Anchor Rodes are designed for optimal operation on all Muir rope - chain combination gypsies and provide a strong but light weight option to all chain operation. Muir utilise 3 strand nylon anchor rope (as detailed above) and Grade L shortlink chain. Special anchor rode are available on request, including stainless steel chain combinations. Windlass must be fitted with RCMS unit.



Rope Chain custom kit

Chain Size	Chain length metres (ft)	Rope Size m (ft)	Rope length m (ft)
6mm (1/4")	10m (32ft)	12mm (1/2")	100m (328ft)
6mm (1/4")	20m (65ft)	12mm (1/2")	100m (328ft)
8mm (5/16")	10m (32ft)	14mm (9/16")	100m (328ft)
8mm (5/16")	20m (65ft)	14mm (9/16")	100m (328ft)
10mm (3/8")	10m (32ft)	16mm (5/8")	100m (328ft)
10mm (3/8")	20m (65ft)	16mm (5/8")	100m (328ft)

DRUM WINCH ROPE CHAIN KITS



Designed For	Chain Size	Chain length metres (ft)	Rope Size m (ft)	Rope length m (ft)
DW06	6mm (1/4")	5m (15ft)	6mm (1/4")	50m (160ft)
DW/DFF 08	6mm (1/4")	6m (20ft)	6mm (1/4")	120m (400ft)
DW/DFF 08	6mm (1/4")	6m (20ft)	8mm (5/16")	80m (260ft)
DW/DFF 10, 12, 15	8mm (5/16")	6m (20ft)	8mm (5/16")	150m (490ft)
DW/DFF 10, 12, 15	8mm (5/16")	6m (20ft)	10mm (3/8")	90m (300ft)
DW/DFF 10, 12, 15	8mm (5/16")	6m (20ft)	12mm (1/2")	70m (230ft)

SNUBBER LINE KITS

This simple device ensures minimal strain is placed on the windlass while at anchor. Often utilised while removing the chain from windlass or securing a stowed anchor. The stainless steel snubber line hook is fastened to the anchor rode, and the line is tied off to a cleat or bollard. Muir recommend use of a snubber line and a chain stopper with all windlasses, for bigger yachts consider a devil claw and chain stopper assembly.



Hook to suit chain size	Line size	Length of line
6mm (1/4")	12mm (1/2")	2m (6.4ft)
8mm (5/16")	14mm (9/16")	3m (9.6ft)
10mm (3/8")	16mm (5/8")	3m (9.6ft)
13mm (1/2")	19mm (3/4")	3m (9.6ft)
16mm (5/8")	22mm (7/8")	4m (12.8ft)

ANCHORS

MANTUS ANCHORS®

The Mantus Anchor is designed to penetrate dense, grassy bottoms and set with unparalleled holding power. When tested, our anchors set faster and deeper than any other tested anchor, including Rocna, Manson Supreme, Bulwagga, Fortress, Bruce, CQR and Danforth anchors.

The Mantus Marine anchor lineup simply has the best boat anchors available, whether you are a long-range cruiser, racing, or going out for a day sail. The Mantus quick-set anchor is stowable and breaks down for easy storage, so you can store one or two as spares without needing to take up much boat space.



MANTUS M1 anchor



MANTUS M2 anchor

Muir products are sold, serviced and supported worldwide.



AUSTRALIA • EUROPE • USA • ASIA • PACIFIC •

Copyright notice and disclaimer

Copyright in this publication is owned by Muir Engineering Group Pty. Ltd.
Information in this publication is intended for general information only and does not constitute professional advice and should not be relied upon as such.
No representation or warranty is made as to the accuracy, reliability or completeness of any information in this publication.
Readers should make their own enquiries and reach to the nearest distributor before acting on or relying upon any of the information provided.
Images used within this publication remain the property of the copyright holders.

Cover and opposite page images supplied courtesy of Moonen Yachts
Back cover image supplied courtesy of Amels Yachts

Muir reserves the right to alter specifications without notice. All rights reserved. While all due care and attention has been taken in the preparation of this catalogue no responsibility shall be taken for errors or omissions.

THIS CATALOGUE SHOULD NOT BE USED FOR INSTALLATION PURPOSES
Any reference to MUIR or MUIR'S in this catalogue implies MUIR ENGINEERING GROUP PTY. LTD.
©2025 Muir Engineering Group Pty. Ltd. Version 2.20

The Muir Quality Management System is certified as being in conformity with ISO9001.



SCAN FOR YOUR
LOCAL MUIR





Head Office

100 Browns Road, Kingston
Tasmania, Australia 7050

T +61 (0)3 6229 0600

F +61 (0)3 6229 7030

E sales@muir.com.au

Queensland Branch

15/75 Waterway Dve, Coomera
Queensland, Australia 4209

T +61 (0) 7 5555 2222

New South Wales Branch

Unit D6, 1 Campbell Pde, Manly Vale
New South Wales, Australia 2093

T +61 (0) 2 9949 4084

An aerial photograph of the deck of a white yacht. The deck is finished with light-colored teak planking. In the center, there are two large, stainless steel Muir anchoring systems. Each system consists of a vertical post with a winch and a large, circular anchor. The yacht is moving through dark blue water, creating a white wake. The overall scene is bright and clear, highlighting the quality of the yacht's equipment.

**Since 1968.
Built to last.**

Muir anchoring systems on
M/Y BRIGADOON - 36m
Moonen Yachts



muir.com.au